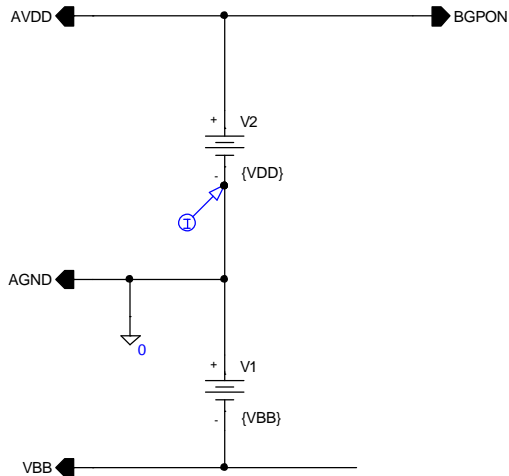


ANALOG INNOVATIONS, Inc.
 824 E. CATHEDRAL ROCK DRIVE
 PHOENIX, AZ 85048-6300
 (480) 460-2350 FAX: (480) 460-2142

Title: BandGap for XXXXXXXX		
Size A	FileName: ...\BandGap.sch	REV A
February 6, 2004, 11:07 AM		Sheet 1 of 2

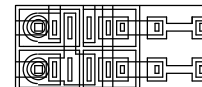
SIMULATION ONLY PAGE



PARAMETERS:

VDD	3.3V
VBB	0

LIBRARY: C:\PSpice\DeviceLib\TSMC_0p13G\TNTP.lib
LIBRARY: C:\PSpice\DeviceLib\TSMC_0p13G\PNP_TYPI.lib
LIBRARY: C:\PSpice\DeviceLib\TSMC_0p13G\RES_TYPI.lib



ANALOG INNOVATIONS, Inc.
824 E. CATHEDRAL ROCK DRIVE
PHOENIX, AZ 85048-6300
(480) 460-2350 FAX: (480) 460-2142

Title:
BandGap for XXXXXXXX

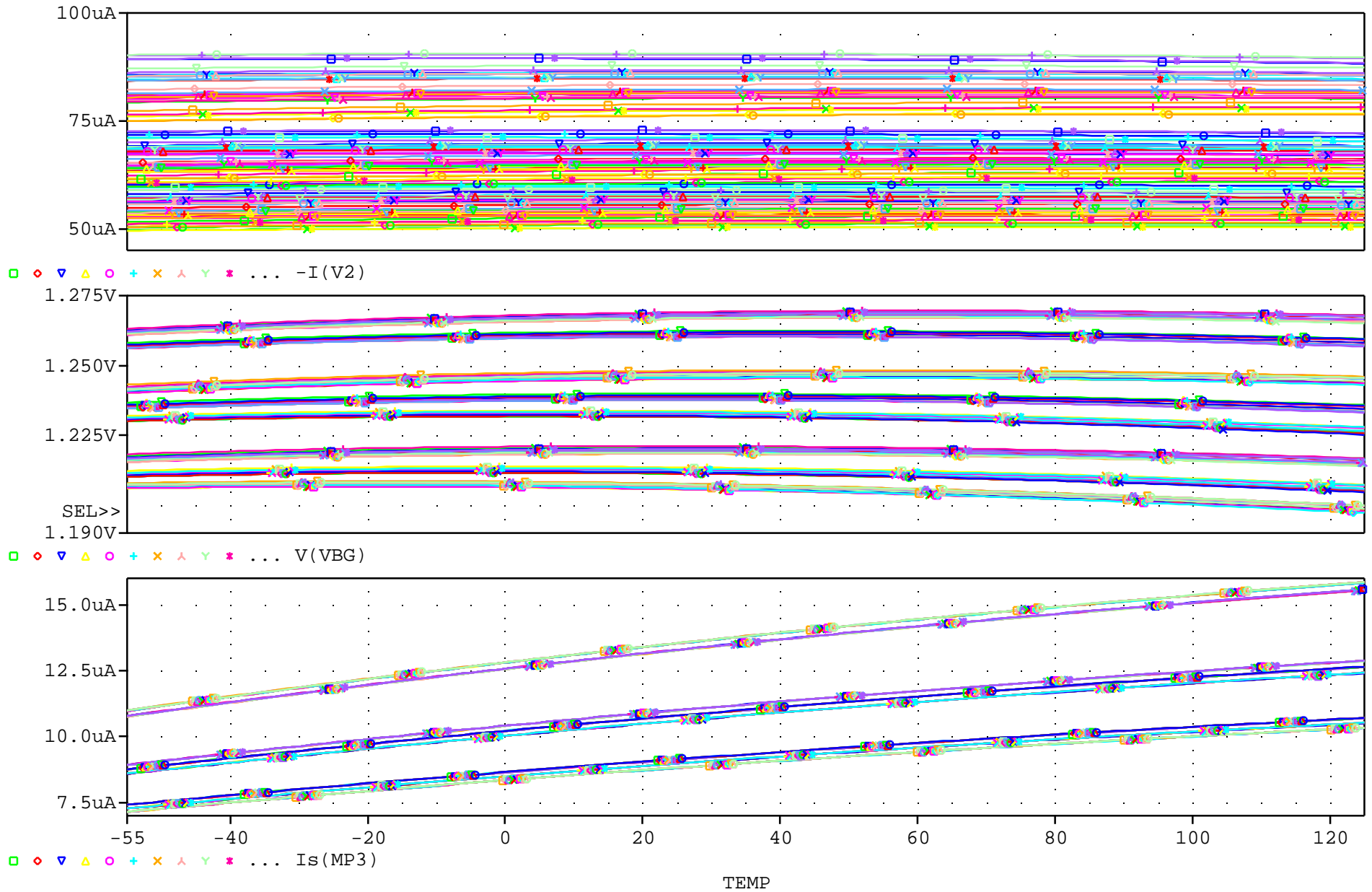
Size A
FileName: ...BandGap.sch

REV
A

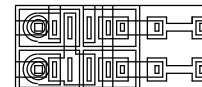
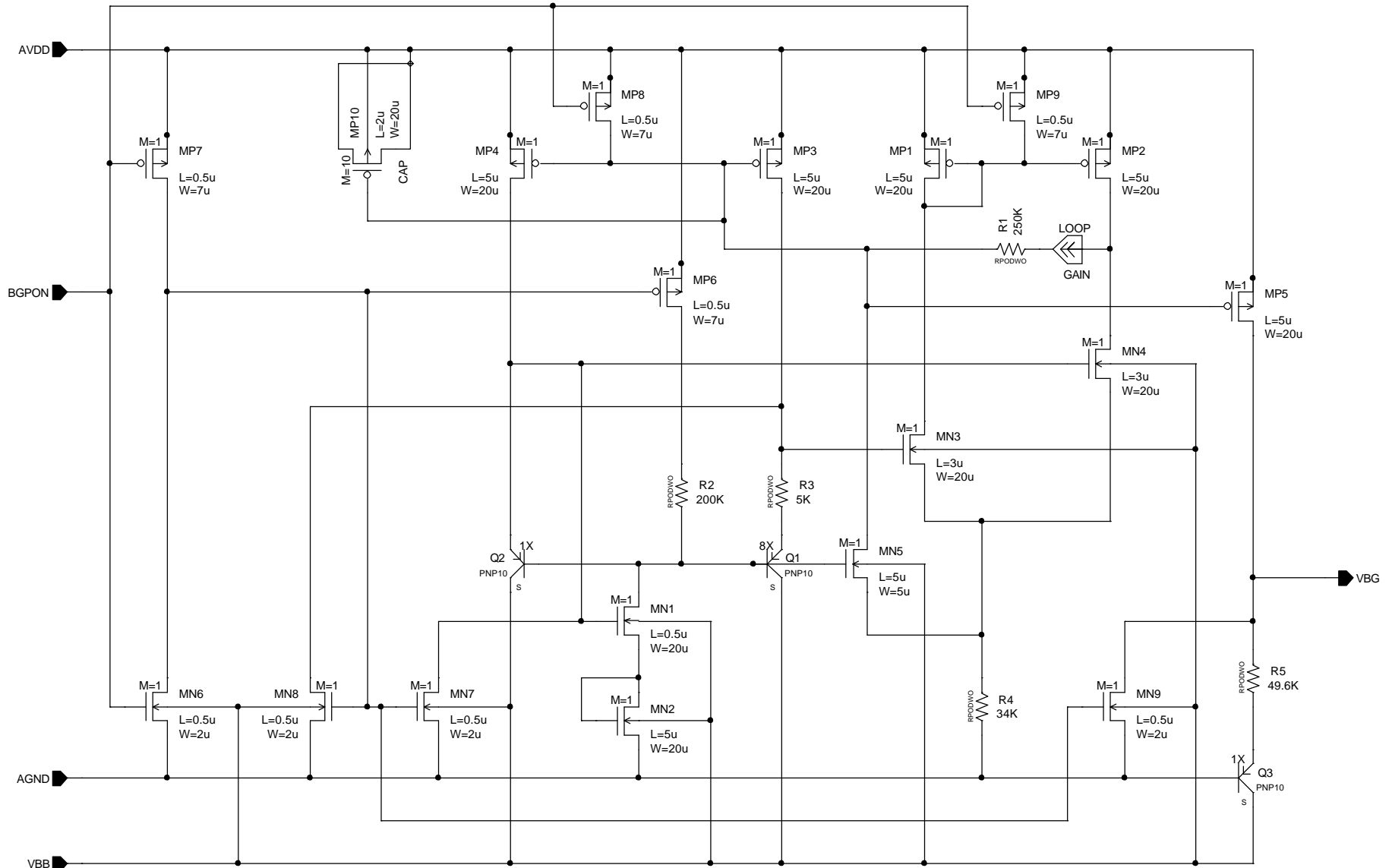
February 6, 2004, 11:07 AM

Sheet 2 of 2

BandGap... 45 Process Corners plus VDD = 2.7V, 3.3V, 3.9V



SIMULATION ONLY PAGE



ANALOG INNOVATIONS, Inc.
 824 E. CATHEDRAL ROCK DRIVE
 PHOENIX, AZ 85048-6300
 (480) 460-2350 FAX: (480) 460-2142

Title: BandGap for XXXXXXXX - AC Analysis		
Size A	FileName: ...BandGap-AC.sch	REV A
February 6, 2004, 11:38 AM		Sheet 1 of 2

