

ANALOG INNOVATIONS, Inc.  
 824 E. CATHEDRAL ROCK DRIVE  
 PHOENIX, AZ 85048-6300  
 (480) 460-2350 FAX: (480) 460-2142

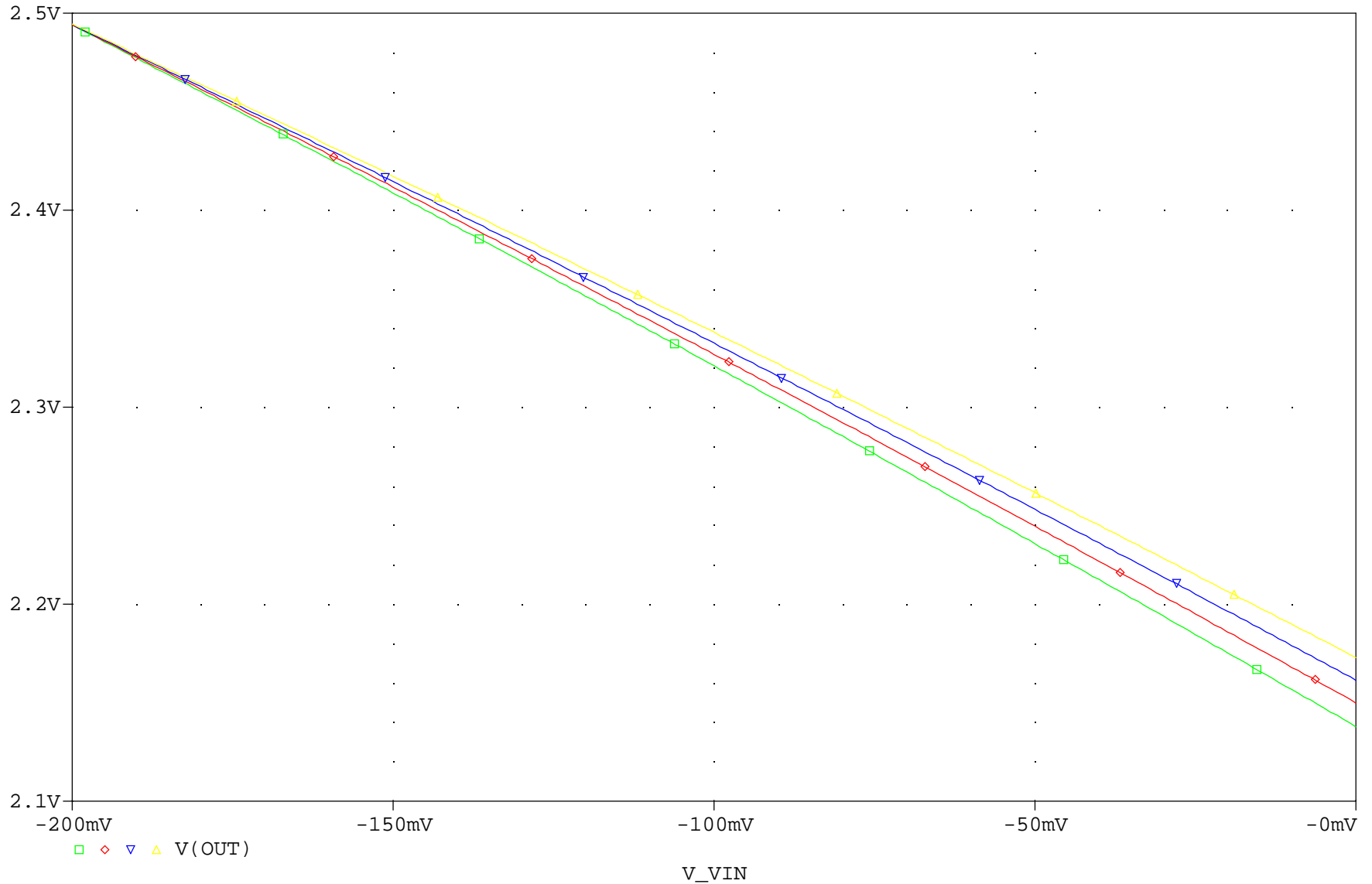
Title:  
 Stabilizing JFET Bias

Size A	FileName: D:\Projects\Expments\FlopFlops\DfromBC-Bias.sch	REV A
-----------	--	----------

November 20, 2007, 2:40 PM

Sheet 1 of 1

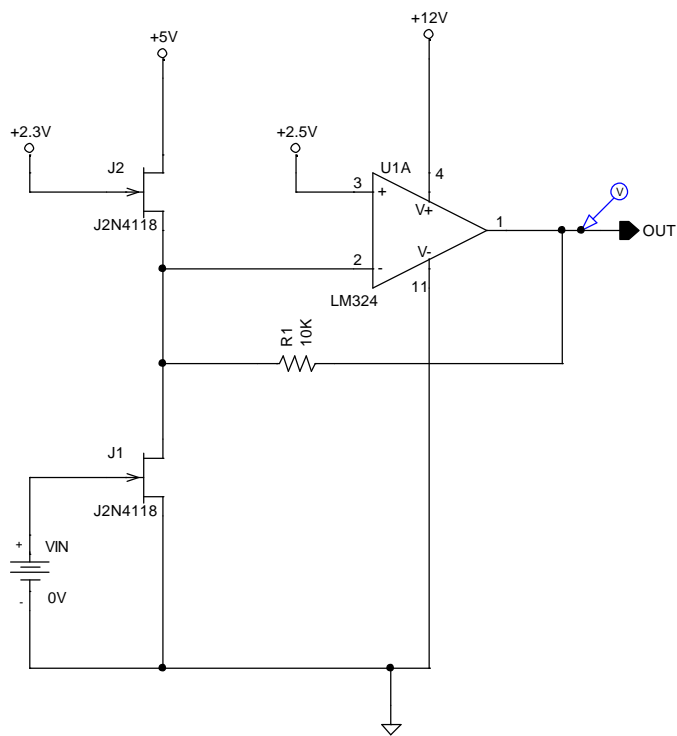
D from BC Bias Problem (S.E.D) [Green = +20°C, Yellow = +50°C]

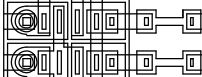


ANALOG INNOVATIONS, INC.  
824 E. Cathedral Rock Drive  
Phoenix, AZ 85048-6300  
(480)460-2350

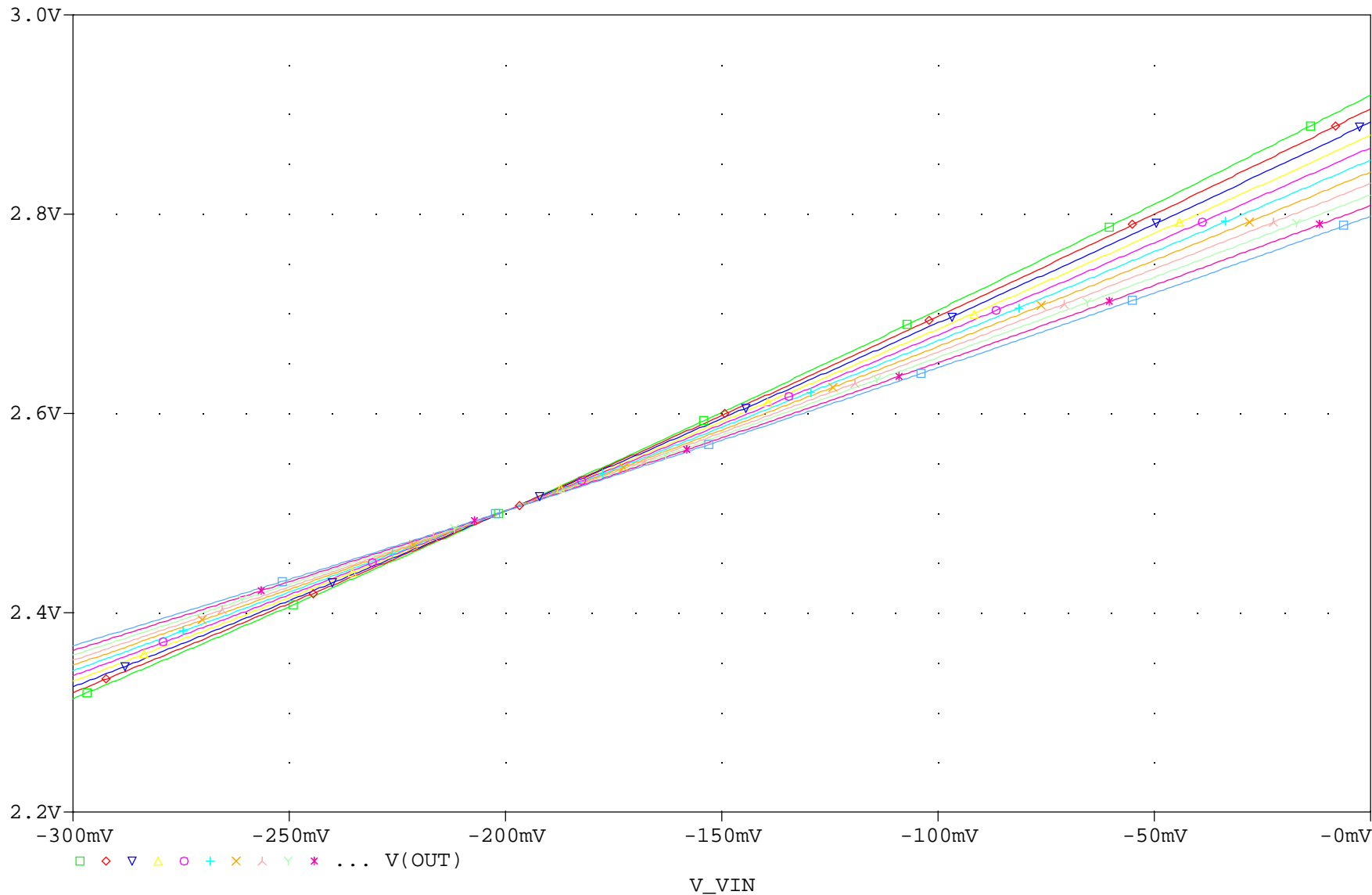
Temperature(s): 20.0, 30.0, 40.0, 50.0

November 20, 2007



		ANALOG INNOVATIONS, Inc. 824 E. CATHEDRAL ROCK DRIVE PHOENIX, AZ 85048-6300 (480) 460-2350 FAX: (480) 460-2142	
Title: Stabilizing JFET Bias - Active Load			
Size A	FileName: D:\Projects\Expments\FlopFlops\DfromBC-Bias-2.sch		REV A
November 20, 2007, 5:52 PM		Sheet 1 of 1	

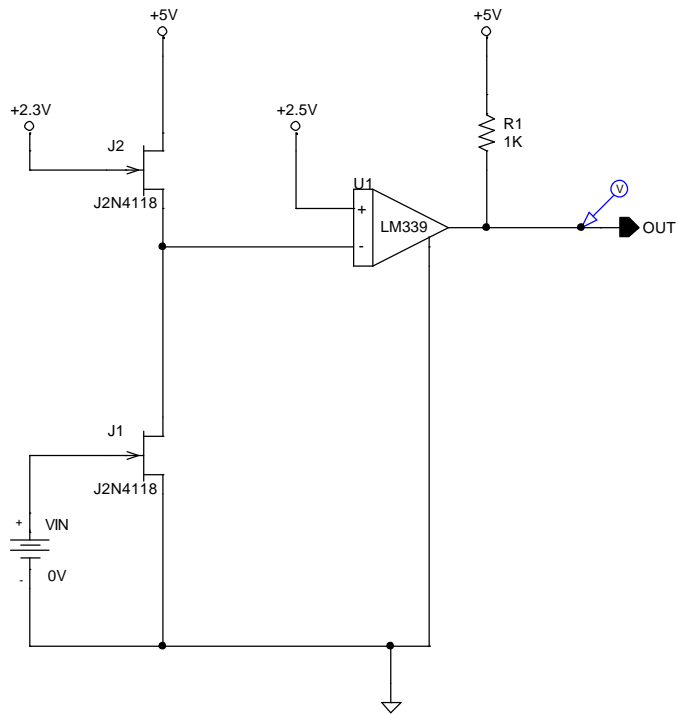
D from BC Bias - Version 2



ANALOG INNOVATIONS, INC.  
824 E. Cathedral Rock Drive  
Phoenix, AZ 85048-6300  
(480)460-2350

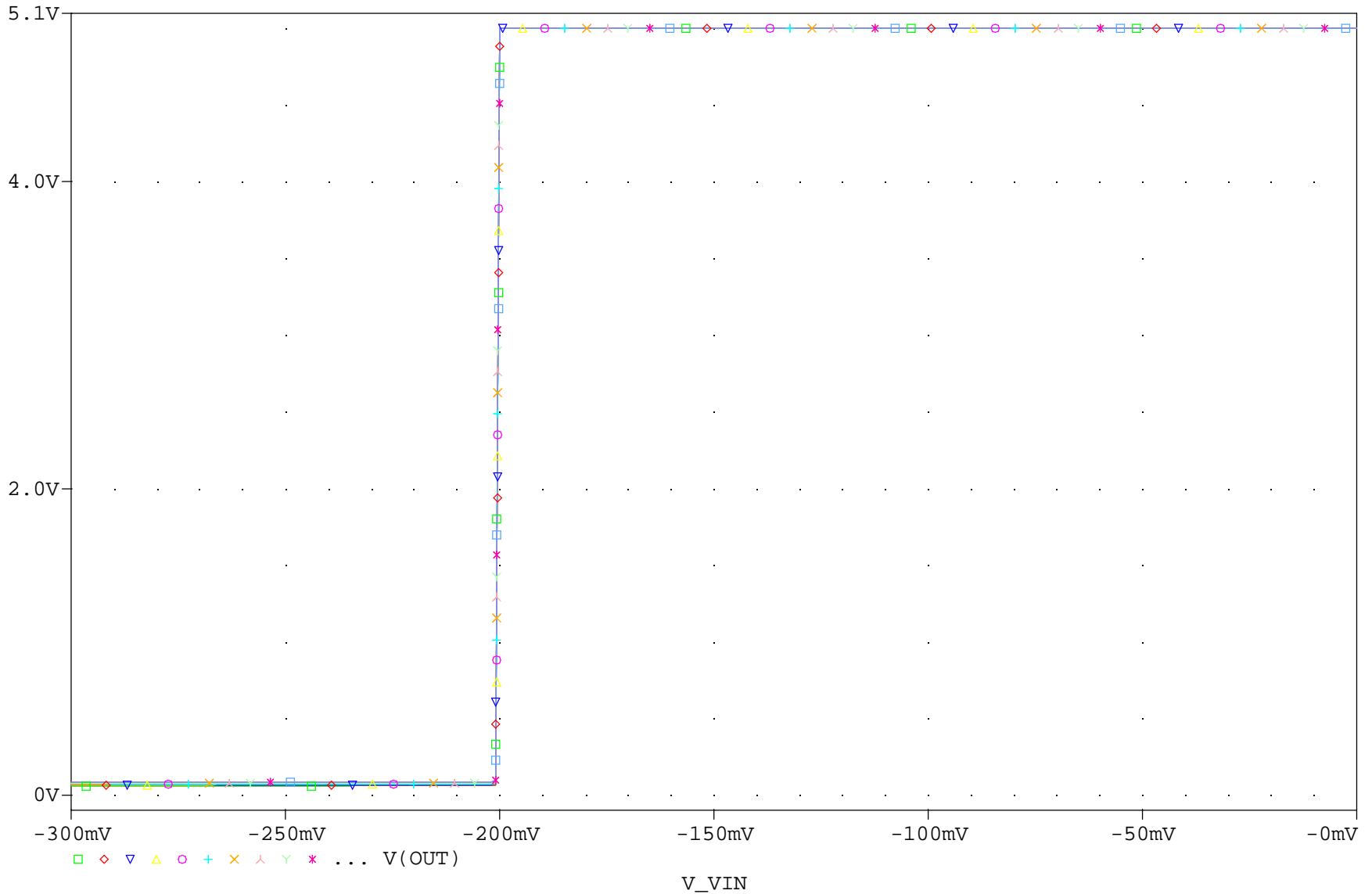
Temperatures: -20, -10, 0, 10, 20, 30, 40, 50, 60, 70, 80

November 20, 2007



		ANALOG INNOVATIONS, Inc. 824 E. CATHEDRAL ROCK DRIVE PHOENIX, AZ 85048-6300 (480) 460-2350 FAX: (480) 460-2142	
Title: Stabilizing JFET Bias - Comparator as Output			
Size A	FileName: D:\Projects\Expments\FlopFlops\DfromBC-Bias-3.sch		REV A
November 20, 2007, 6:03 PM		Sheet 1 of 1	

D from BC Bias Version 3 - Comparator as Output



ANALOG INNOVATIONS, INC.  
824 E. Cathedral Rock Drive  
Phoenix, AZ 85048-6300  
(480)460-2350

Temperatures: -20°C to +80°C in 10°C Steps

November 20, 2007