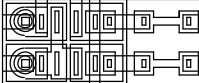
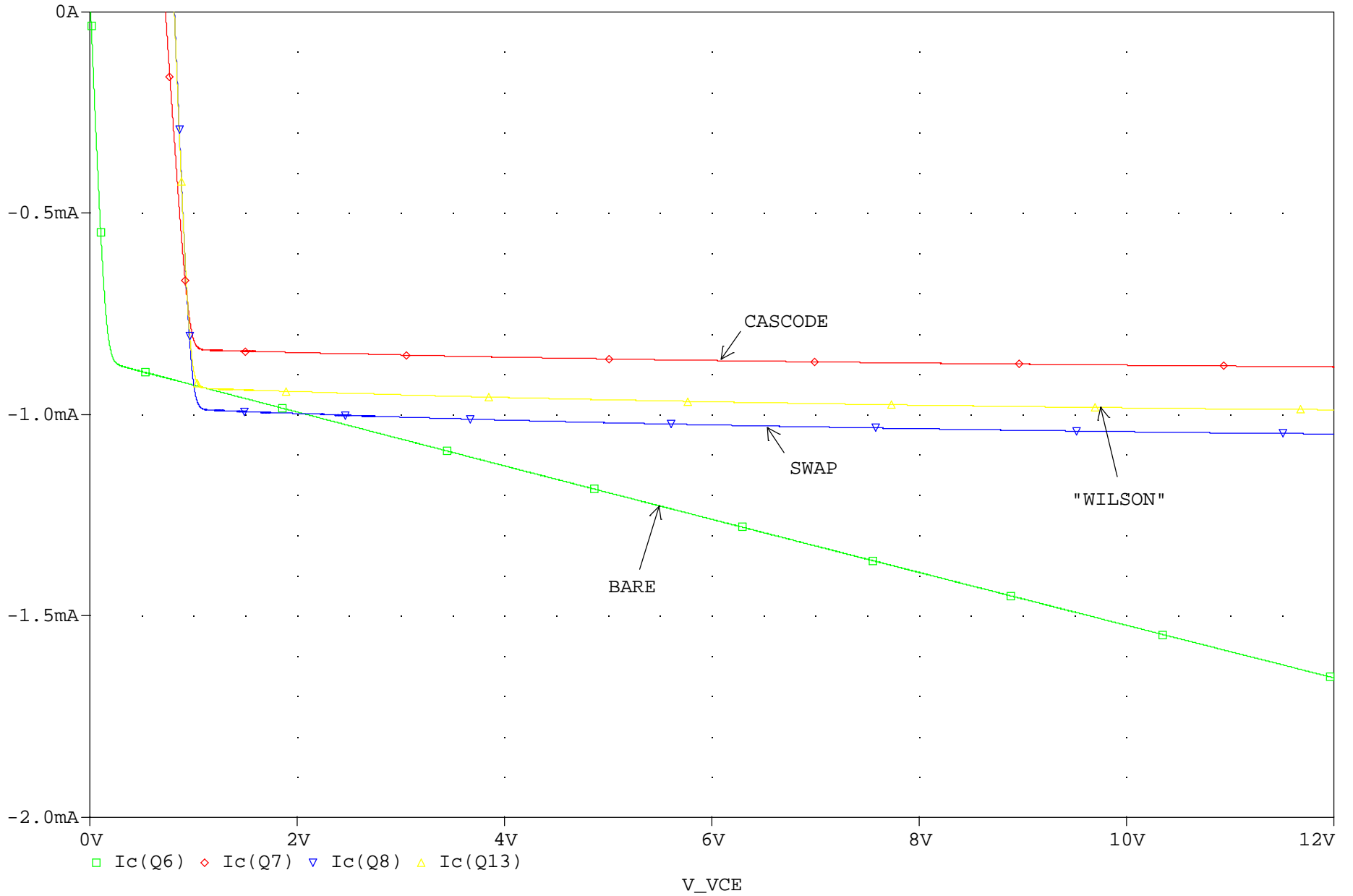


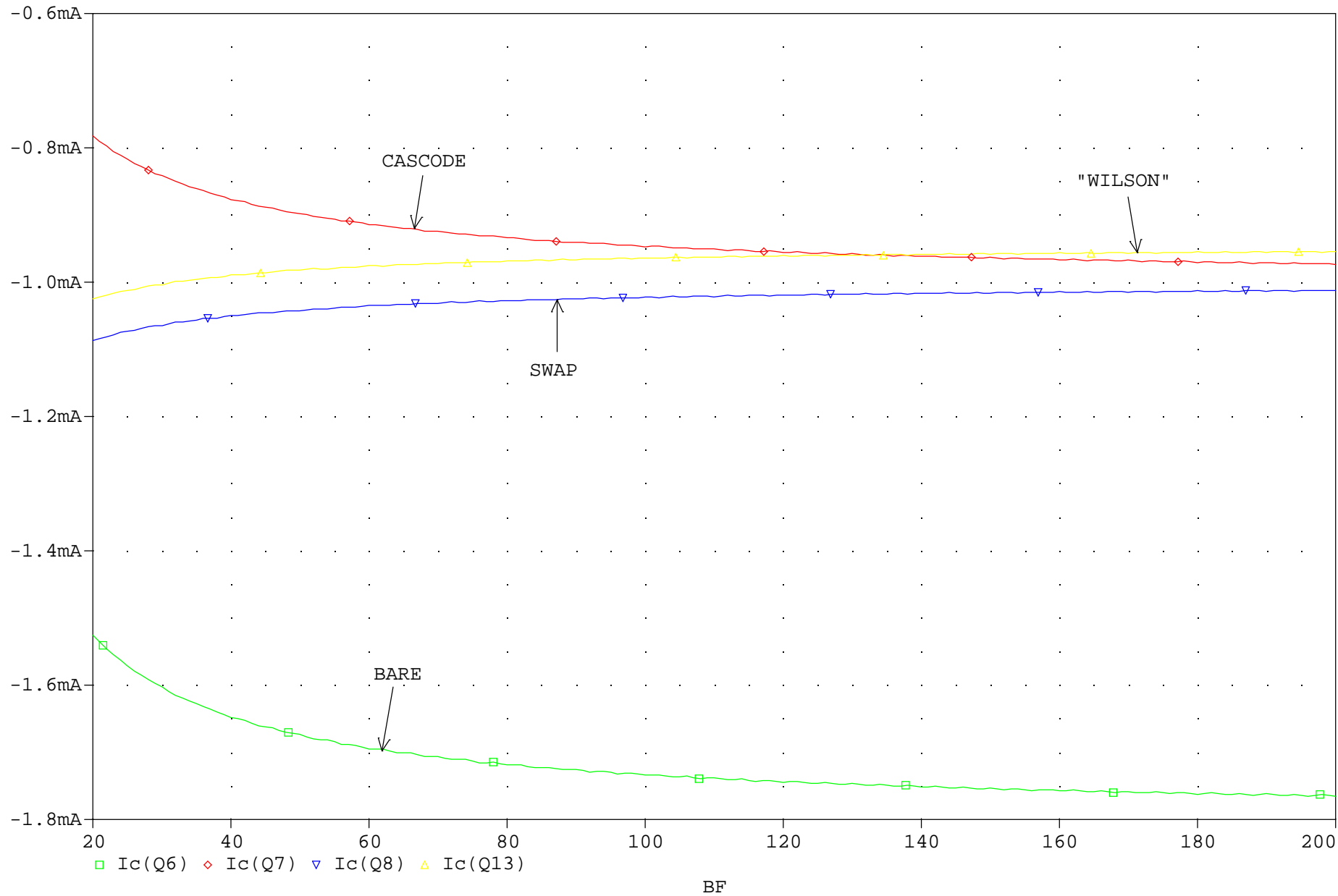
LIBRARY: D:\Projects\Experiments\QP.lib

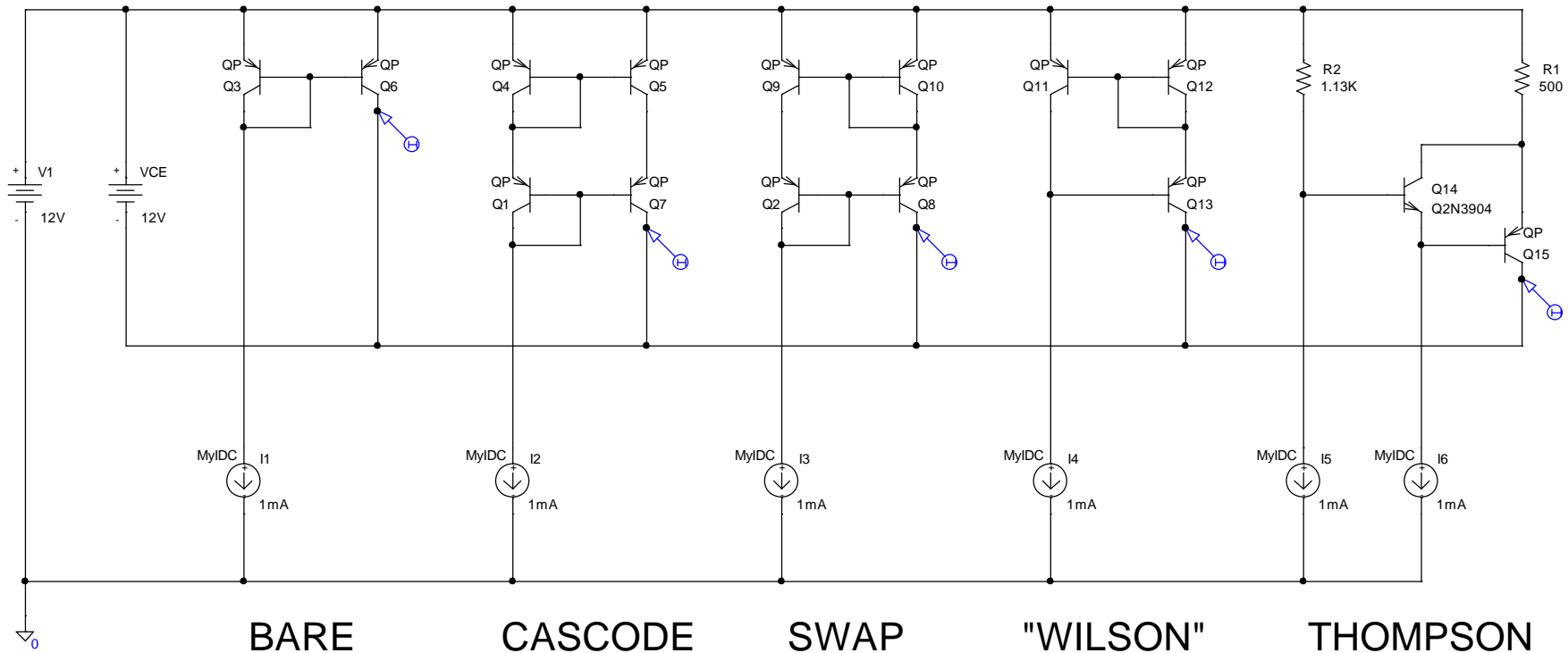
|   |   |   |          |
|---|---|---|----------|
|  |   | ANALOG INNOVATIONS, Inc.<br>824 E. CATHEDRAL ROCK DRIVE<br>PHOENIX, AZ 85048-6300<br>(480) 460-2350 FAX: (480) 460-2142 |          |
| Title:<br>Comparison of Enhanced Current Mirrors                                      |   |   |          |
| Size<br>A   | FileName:<br>...\EnhancedCurrentMirrors.sch |   | REV<br>A |
| June 23, 2003, 9:38 AM  |   | Sheet 1 of 1  |          |

# Enhanced Current Mirrors versus Collector-Emitter Voltage

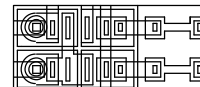


Enhanced Current Mirrors versus Beta (BF)





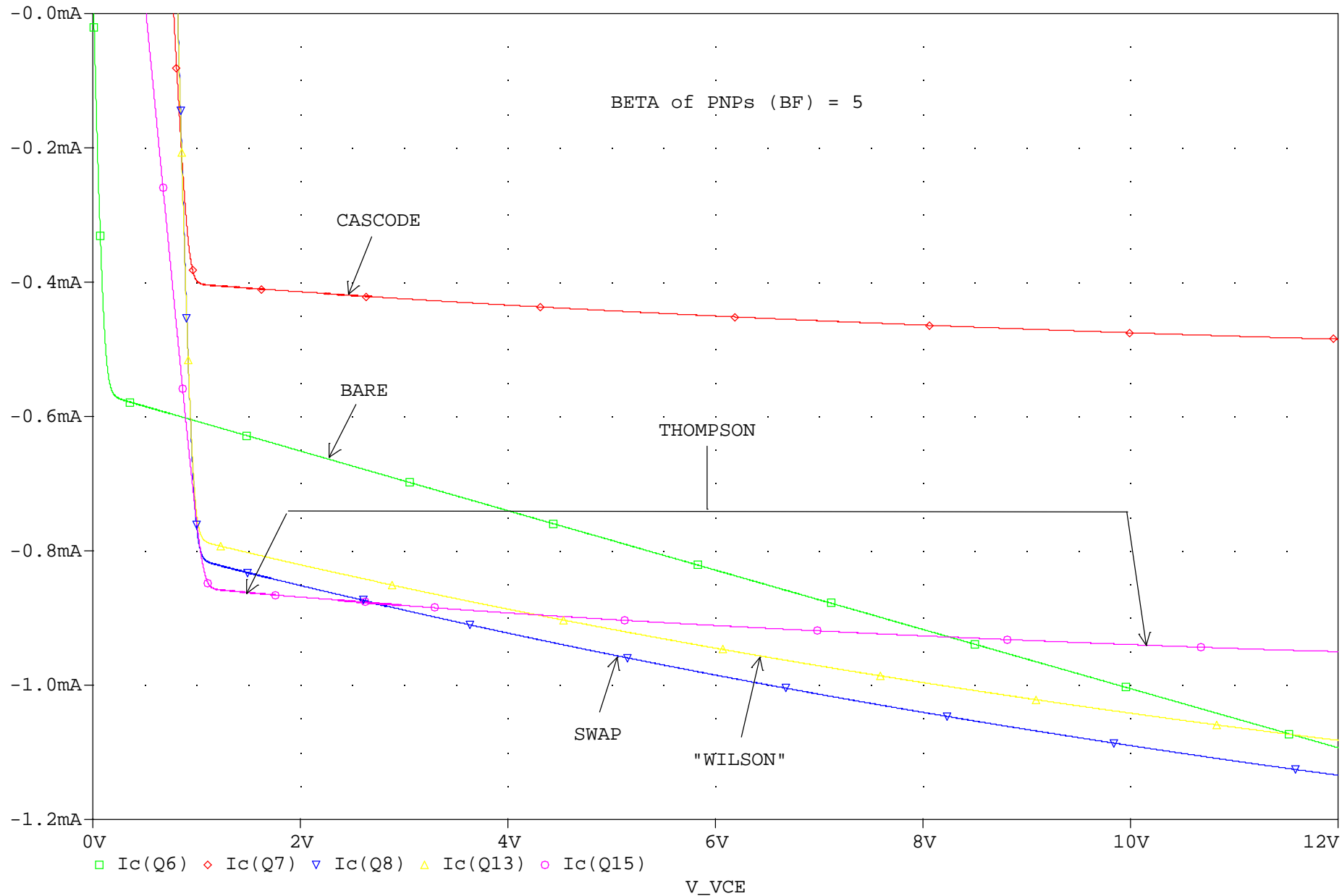
LIBRARY: D:\Projects\Expments\QP.lib



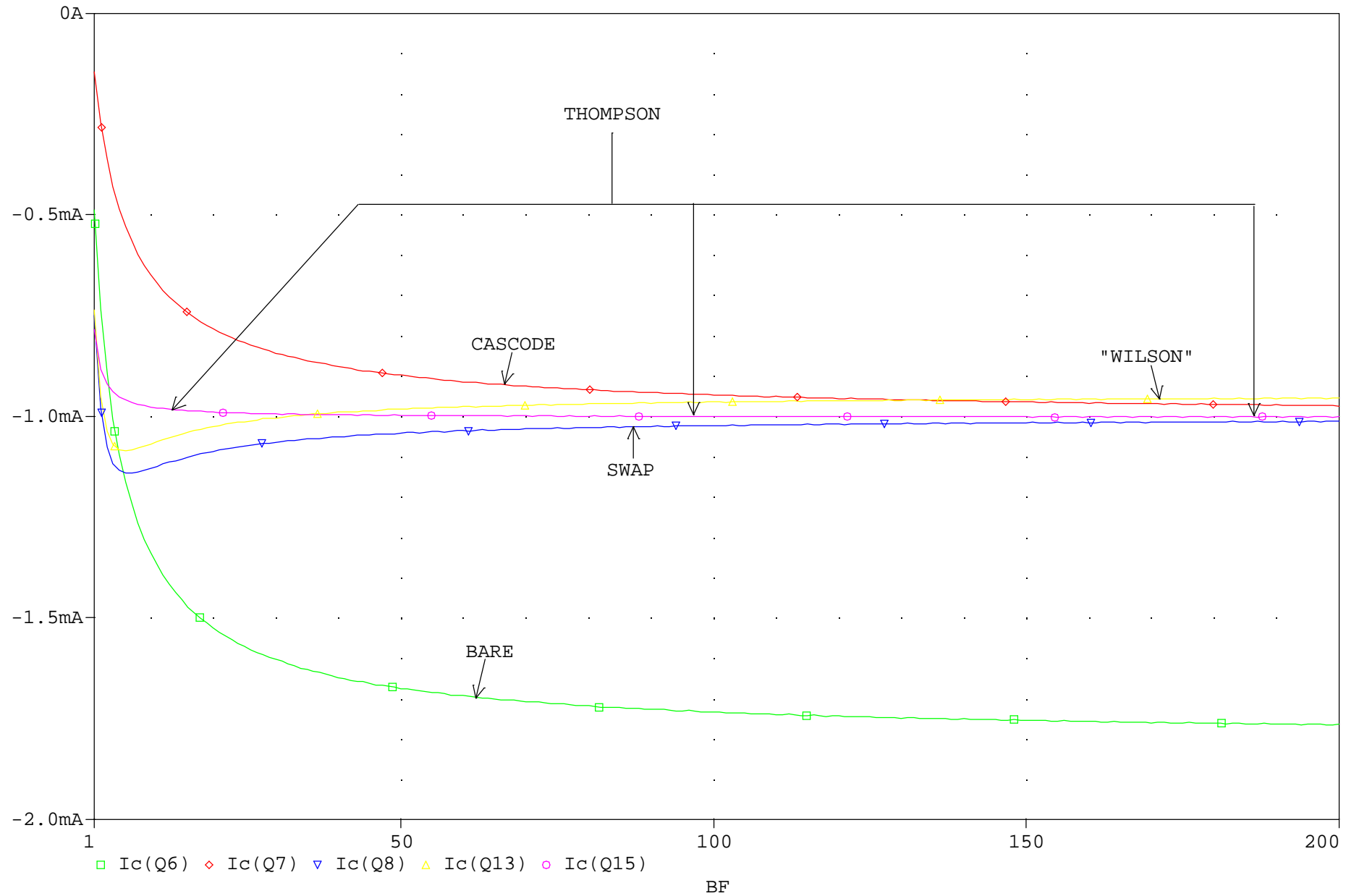
ANALOG INNOVATIONS, Inc.  
 824 E. CATHEDRAL ROCK DRIVE  
 PHOENIX, AZ 85048-6300  
 (480) 460-2350 FAX: (480) 460-2142

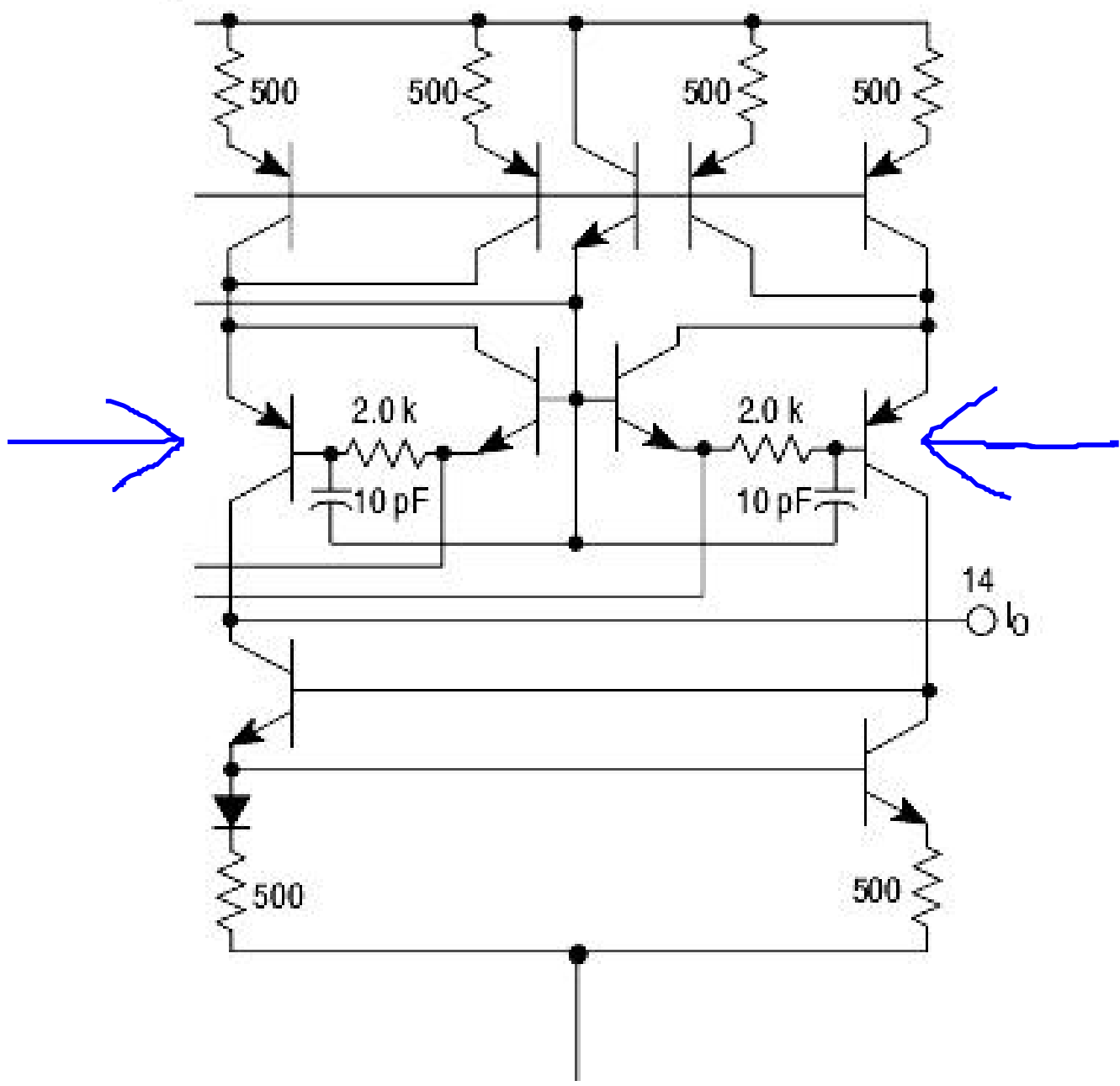
|  |                                |              |
|--|--------------------------------|--------------|
| Title:                                 |                                |              |
| Comparison of Enhanced Current Mirrors |                                |              |
| Size                                   | FileName:                      | REV          |
| A                                      | ...\EnhancedCurrentMirrors.sch | B            |
| August 31, 2003, 8:18 AM               |                                | Sheet 1 of 1 |

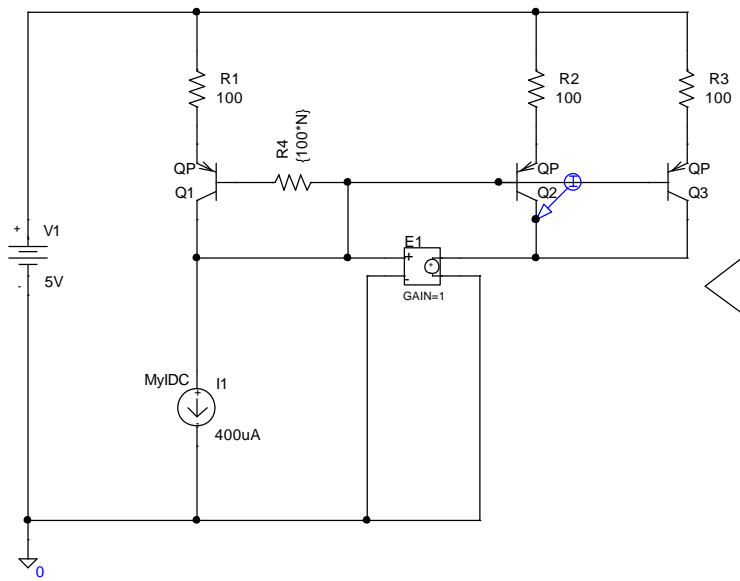
Enhanced Current Mirrors versus Collector-Emitter Voltage - Beta (BF) = 5



Enhanced Current Mirrors versus Beta (BF)







← E-Source Removes Early Effect  
So That Beta-only Sensitivity  
Can Be Observed

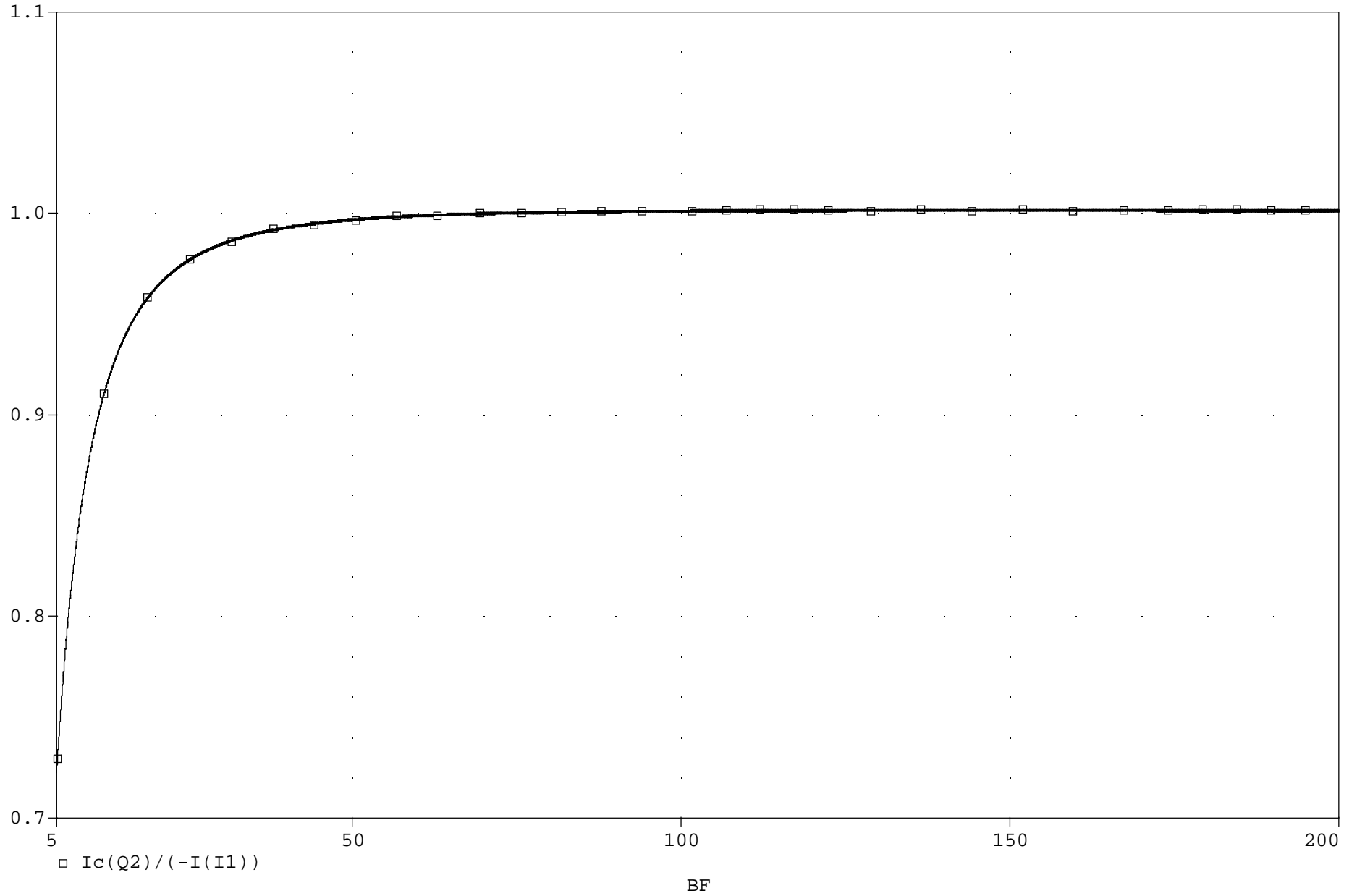
PARAMETERS:  
N 6

LIBRARY: D:\Projects\Experiments\QP.lib

|  |   |   |          |
|--|---|---|----------|
|  |   | ANALOG INNOVATIONS, Inc.<br>824 E. CATHEDRAL ROCK DRIVE<br>PHOENIX, AZ 85048-6300<br>(480) 460-2350 FAX: (480) 460-2142 |          |
| Title:<br>Beta Compensation with Base Resistor |   |   |          |
| Size<br>A                                      | FileName:<br>...BetaCompensationInMirrors.sch |   | REV<br>A |
| September 1, 2003, 11:52 AM                    |   | Sheet 1 of 1  |          |



Beta Compensation In Mirrors - Using Base Resistor



Analog Innovations, Inc.  
824 E. Cathedral Rock Drive  
Phoenix, AZ 85048-6300  
(480)460-2350

Temperature(s): 27.0

September 01, 2003