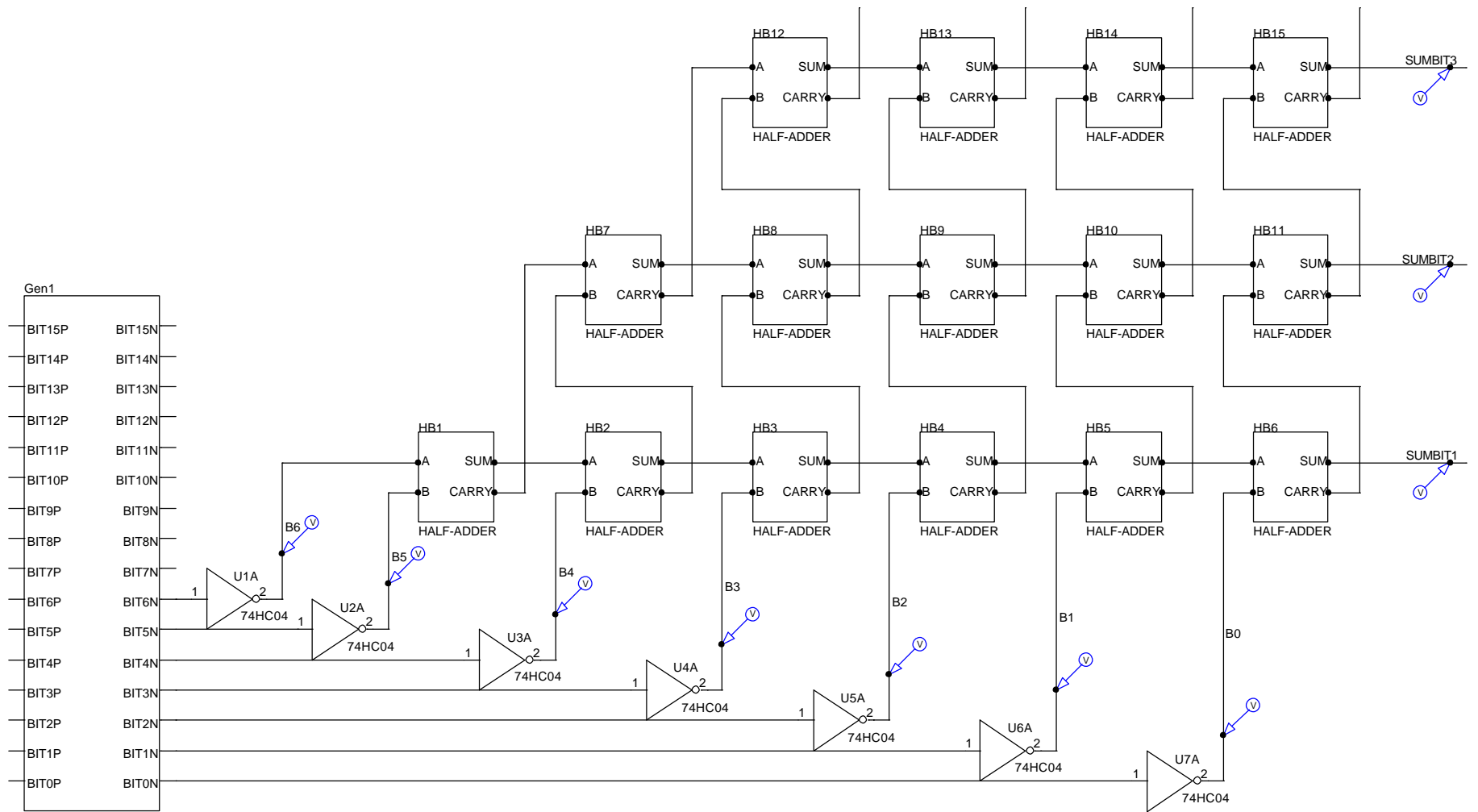
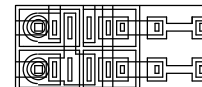


UPPER ROW OF HALF-ADDERs CAN BE REPLACED WITH XORs (CARRY NOT USED)



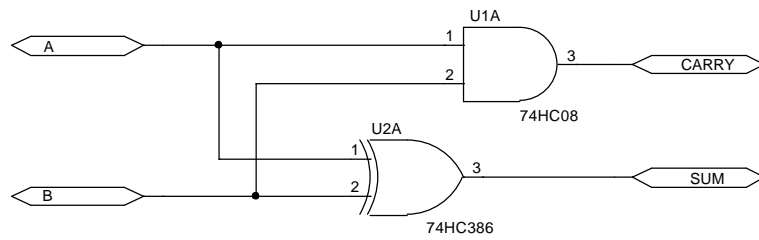
16-BIT-GEN
 VH=5
 VL=0
 TB=1m
 TRF=10n
 StartNumber=0

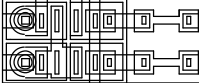
THESE INVERTERS ONLY THERE TO PRODUCE "DIGITAL" OUTPUTS IN SIMULATION
 (MY 16-BIT GENERATOR IS ANALOG)



ANALOG INNOVATIONS, Inc.
 824 E. CATHEDRAL ROCK DRIVE
 PHOENIX, AZ 85048-6300
 (480) 460-2350 FAX: (480) 460-2142

Title: How Many "1"s ?		
Size A	FileName: ...HowManyOnes.sch	REV A
August 31, 2003, 9:21 AM		Sheet 1 of 1



		ANALOG INNOVATIONS, Inc. 824 E. CATHEDRAL ROCK DRIVE PHOENIX, AZ 85048-6300 (480) 460-2350 FAX: (480) 460-2142	
Title: Half Adder			
Size A	FileName: ...Half-Adder.sch		REV A
August 31, 2003, 9:25 AM		Sheet 1 of 1	

HowManyOnes.dat

