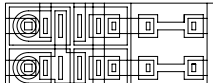
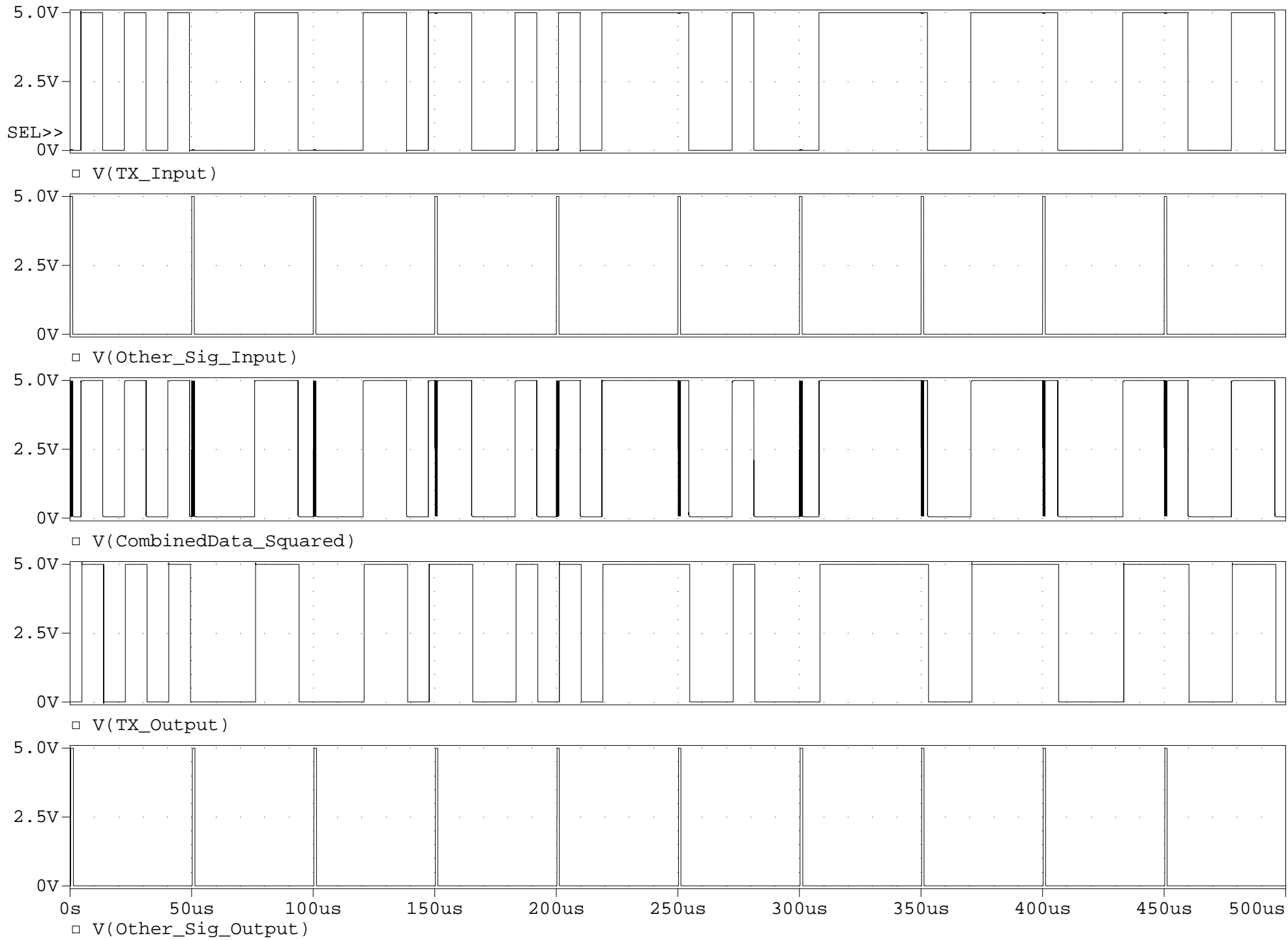
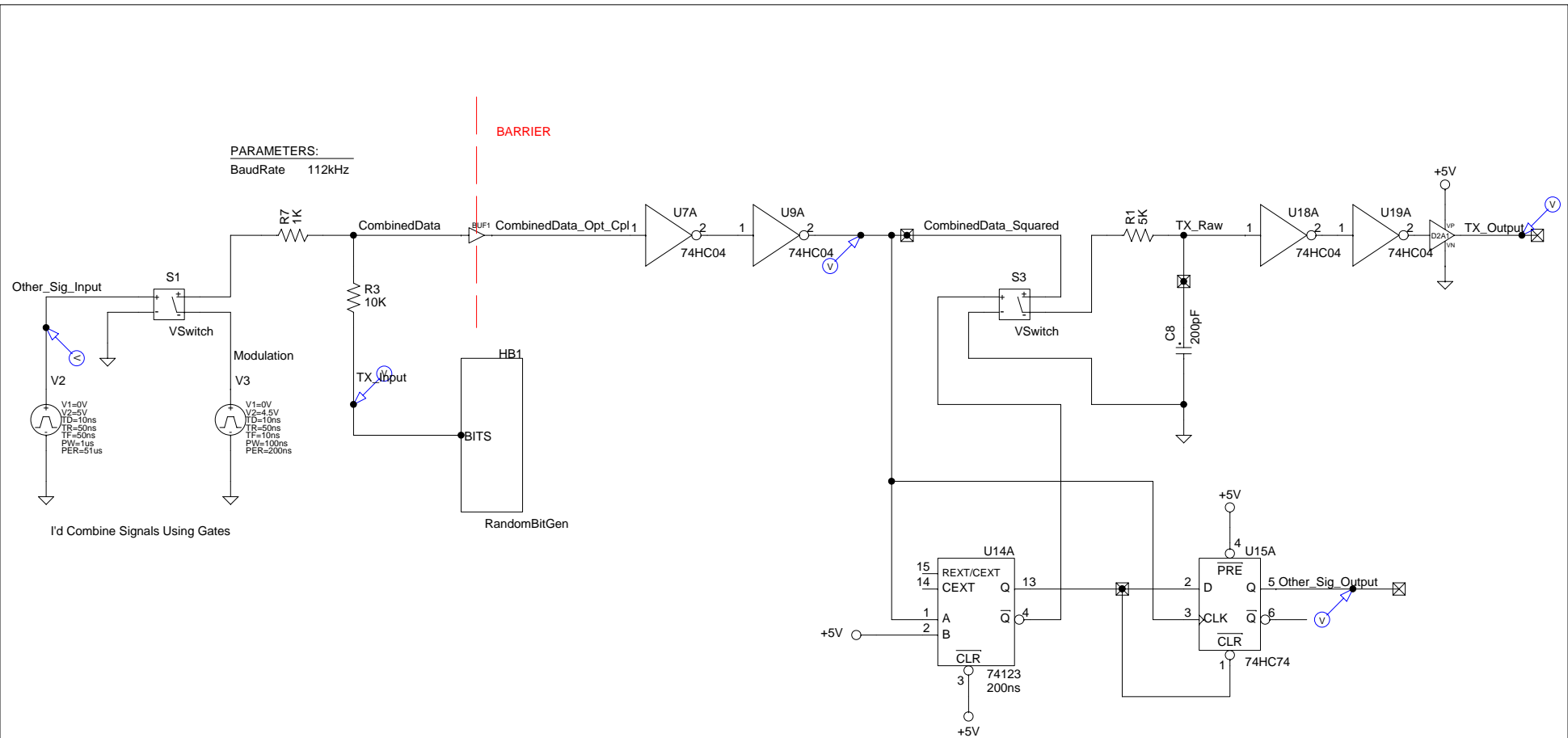


74123 Used Because of Model Available, USE CMOS

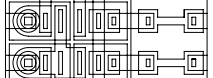
| | | | |
|---|--|---|----------|
|  | | ANALOG INNOVATIONS, Inc. 824 E. CATHEDRAL ROCK DRIVE PHOENIX, AZ 85048-6300 (480) 460-2350 FAX: (602) 557-0890 | |
| Title: Klaus Kragelund Post on SED | | | |
| Size A | FileName: C:\Projects\Expments\SED\Klaus_Combiner.sch | | REV A |
| January 17, 2013, 9:48 AM | | Sheet 1 of 1 | |

Klaus_Combiner... Simulation

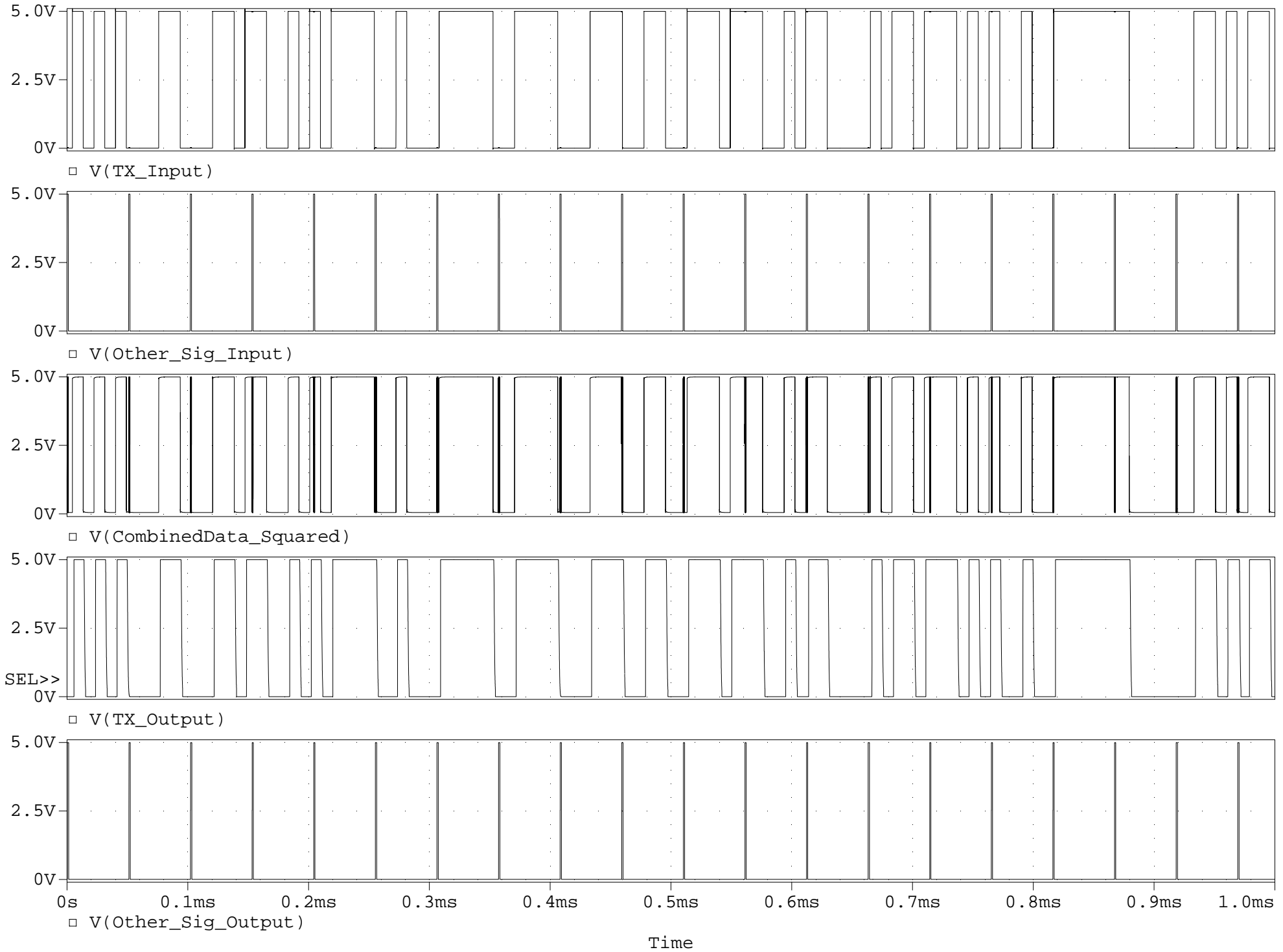


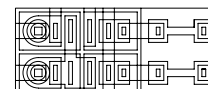
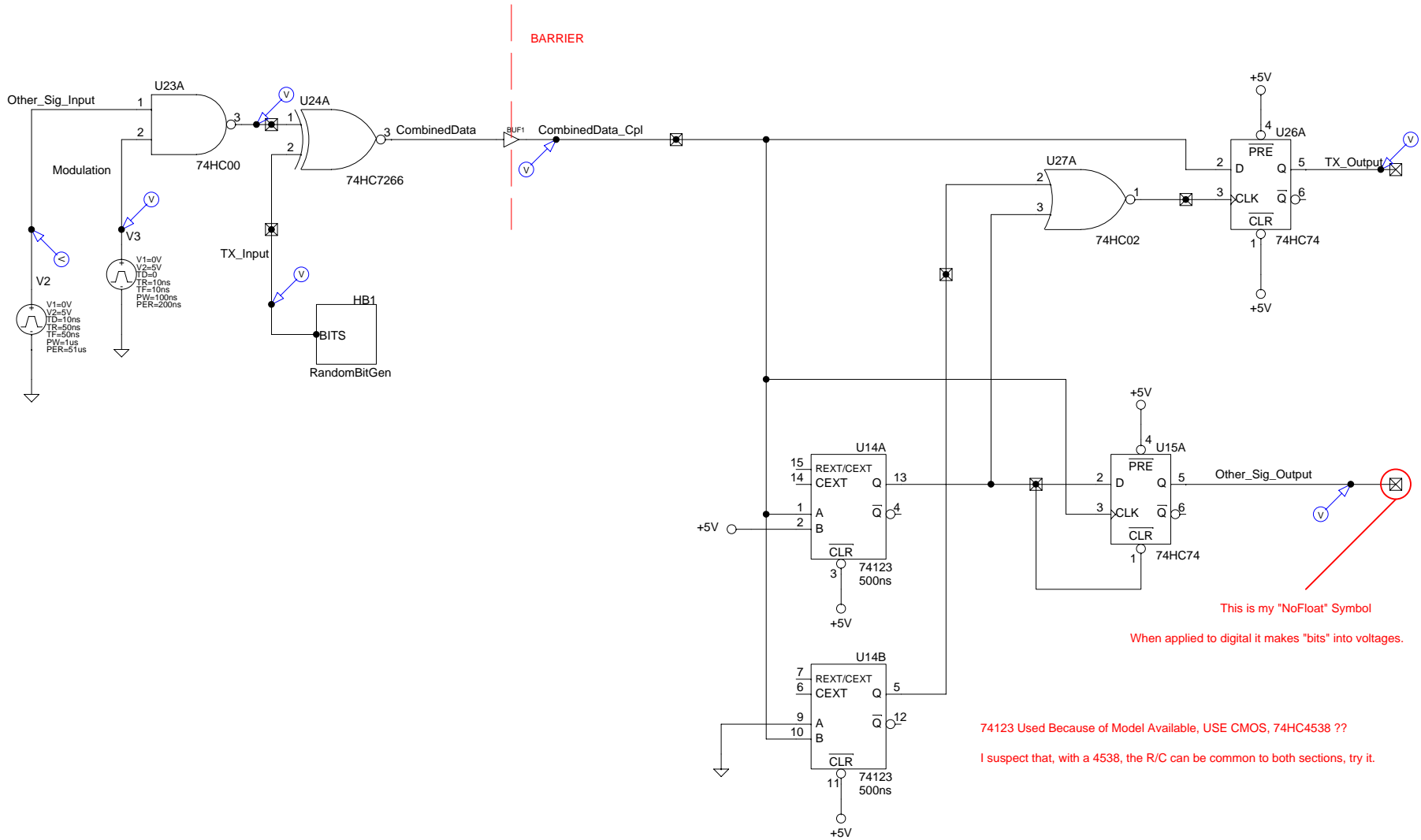


74123 Used Because of Model Available, USE CMOS

| | | | |
|---|--|---|----------|
|  | | ANALOG INNOVATIONS, Inc. 824 E. CATHEDRAL ROCK DRIVE PHOENIX, AZ 85048-6300 (480) 460-2350 FAX: (602) 557-0890 | |
| Title: Klaus Kragelund Post on SED... Solution #2 | | | |
| Size A | FileName: C:\Projects\Expments\SED\Klaus_Combiner_2.sch | | REV A |
| January 17, 2013, 6:45 PM | | Sheet 1 of 1 | |

Klaus_Combiner_2.... Simulation

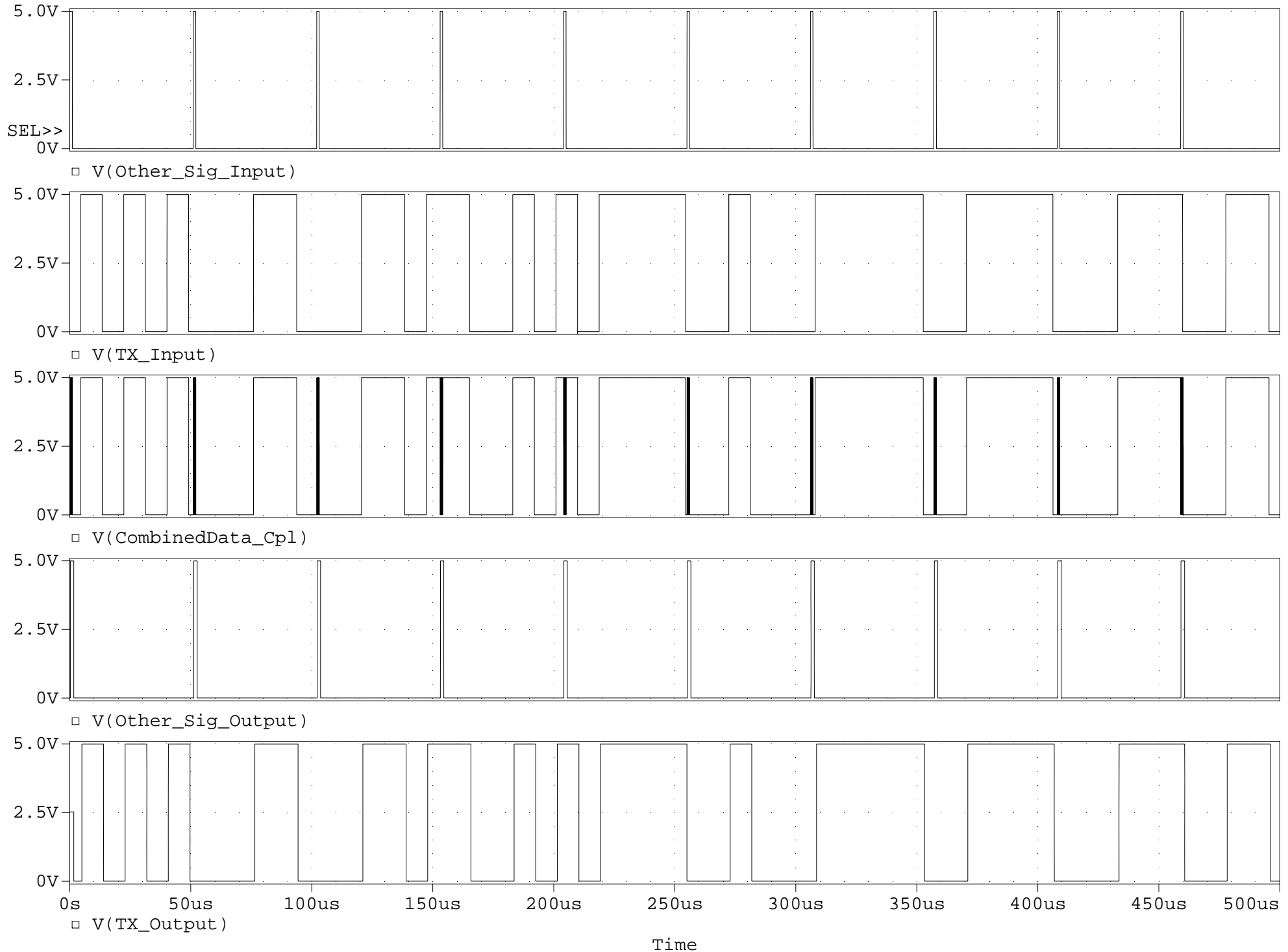




ANALOG INNOVATIONS, Inc.
824 E. CATHEDRAL ROCK DRIVE
PHOENIX, AZ 85048-6300
(480) 460-2350 FAX: (602) 557-0890

| | | |
|--|--|--------------|
| Title: Klaus Kragelund Post on SED... Solution #3 | | |
| Size A | FileName: C:\Projects\Expments\SED\Klaus_Combiner_3.sch | REV A |
| January 18, 2013, 2:57 PM | | Sheet 1 of 1 |

Klaus_Combiner_3... Simulation



Barrier/Channel

PARAMETERS:
BaudRate = 112kHz

