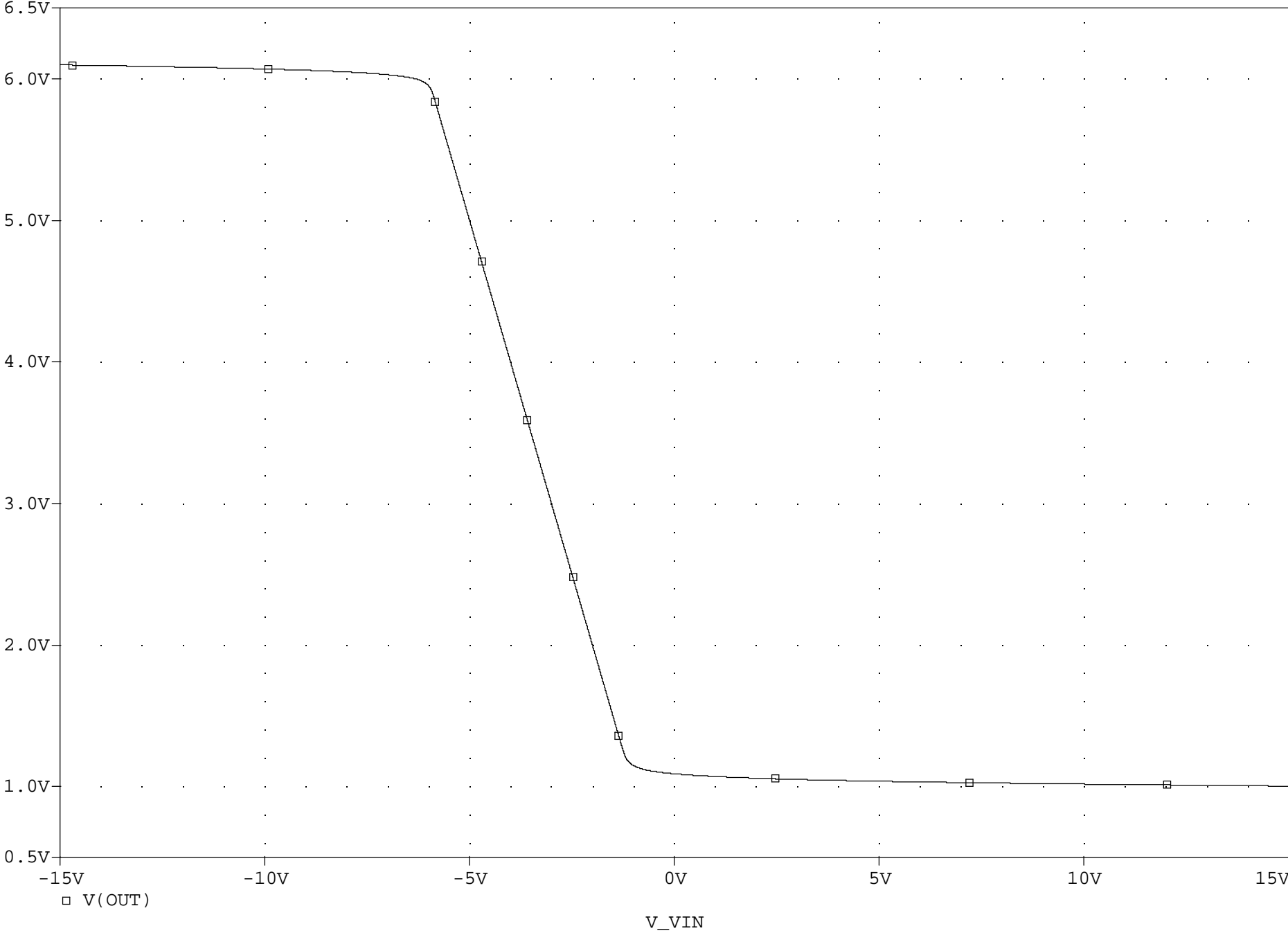
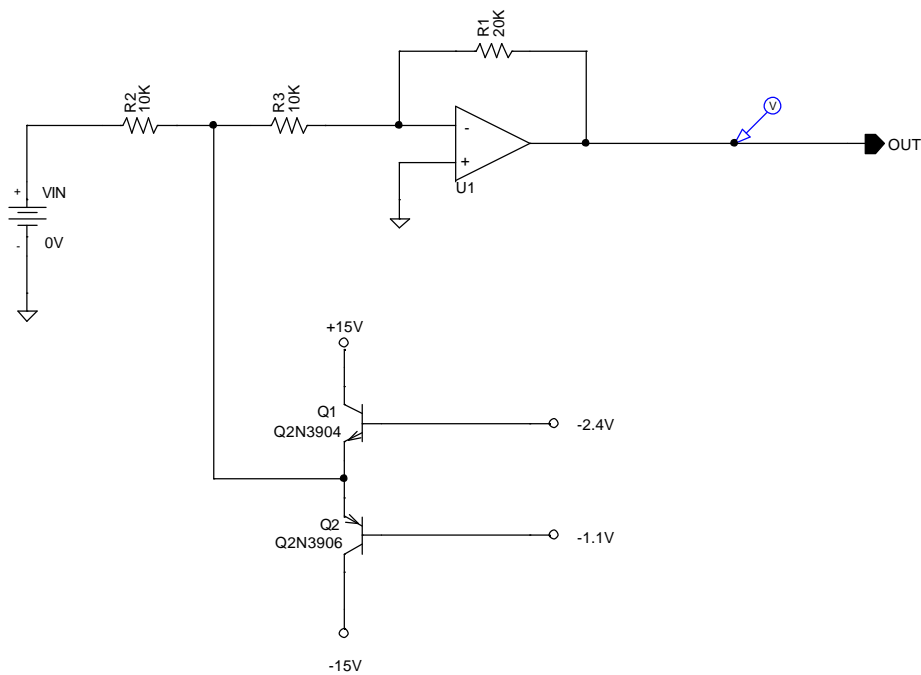
		ANALOG INNOVATIONS, Inc. 824 E. CATHEDRAL ROCK DRIVE PHOENIX, AZ 85048-6300 (480) 460-2350 FAX: (602) 557-0890	
Title: Limiting OpAmp Output Signal Swing (SED, George Herold)			
Size A	FileName: D:\Projects\Expments\SED\OpAmp_Signal_Bounding.sch	REV A	
January 4, 2012, 2:39 PM		Sheet 1 of 1	

Limiting OpAmp Output Signal Swing (SED, George Herold)

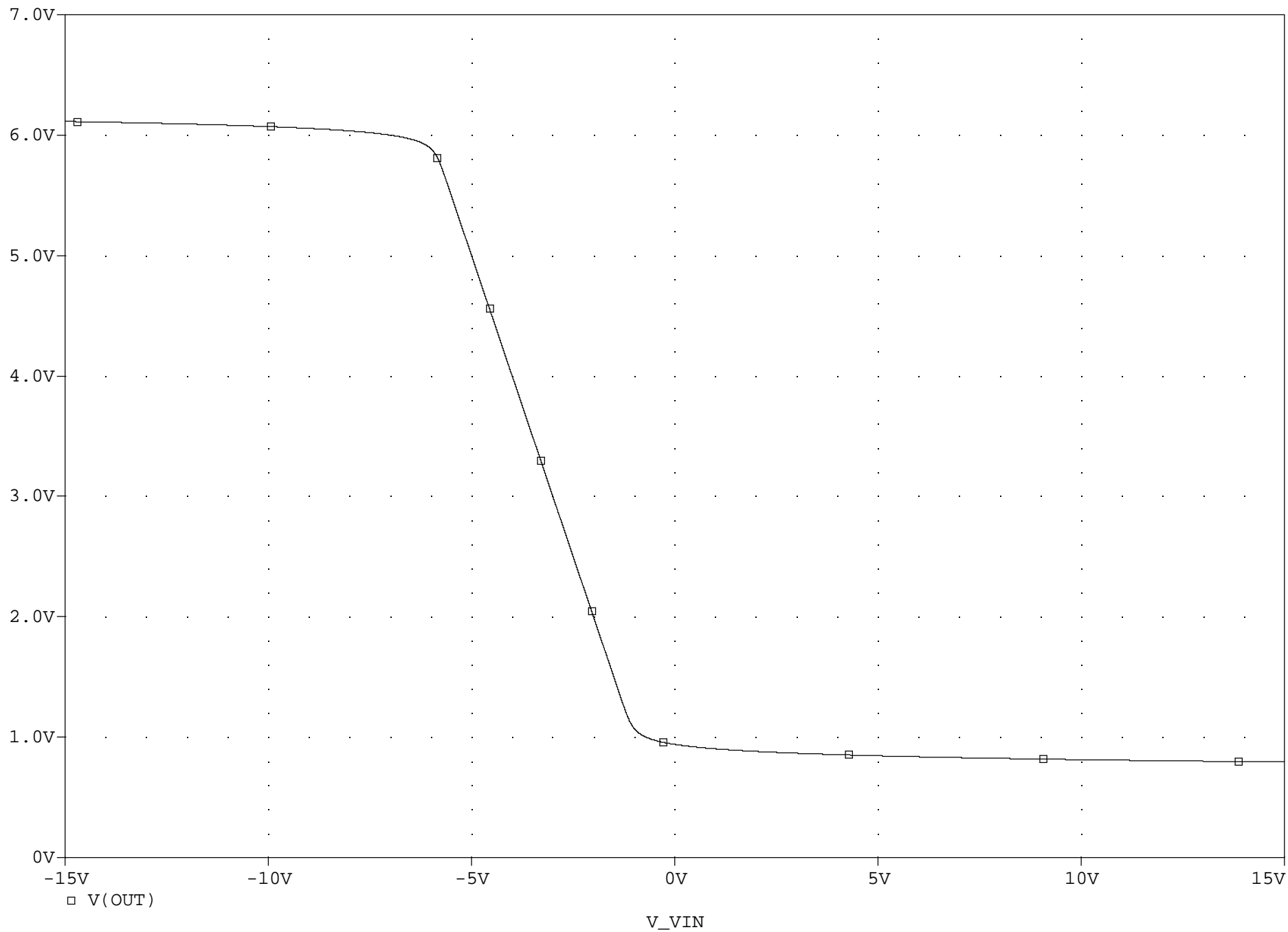


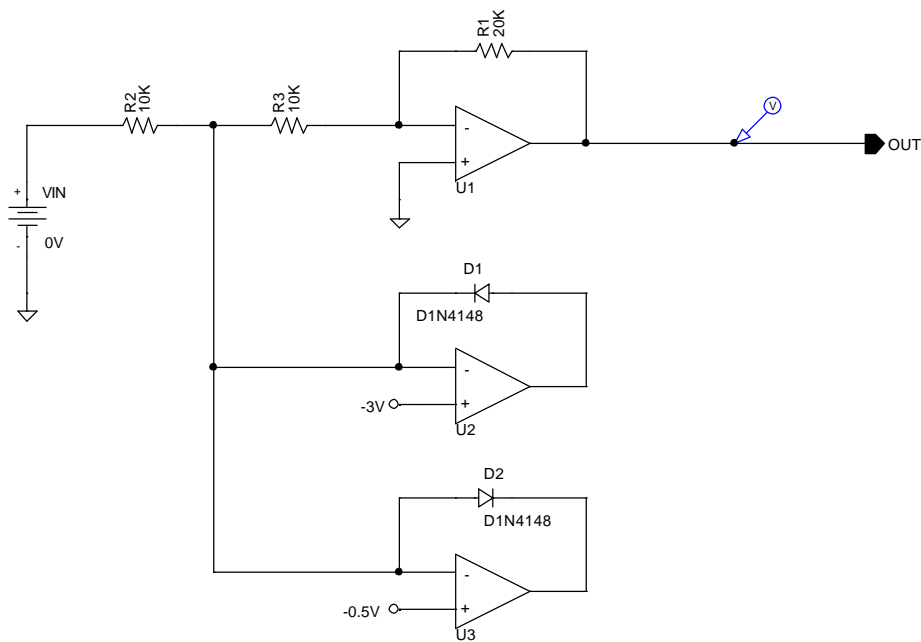


ANALOG INNOVATIONS, Inc.  
 824 E. CATHEDRAL ROCK DRIVE  
 PHOENIX, AZ 85048-6300  
 (480) 460-2350 FAX: (602) 557-0890

Title: Limiting OpAmp Output Signal Swing (SED, George Herold), Version 2		
Size A	FileName: D:\Projects\Expments\SED\OpAmp_Signal_Bounding_2.sch	REV A
January 4, 2012, 5:07 PM		Sheet 1 of 1

Limiting OpAmp Output Signal Swing (SED, George Herold), v2





ANALOG INNOVATIONS, Inc.  
 824 E. CATHEDRAL ROCK DRIVE  
 PHOENIX, AZ 85048-6300  
 (480) 460-2350 FAX: (602) 557-0890

Title: Limiting OpAmp Output Signal Swing (SED, George Herold), Version 3		
Size A	FileName: D:\Projects\Expments\SED\OpAmp_Signal_Bounding_3.sch	REV A
January 5, 2012, 8:45 AM		Sheet 1 of 1

Limiting OpAmp Output Signal Swing (SED, George Herold), v3

