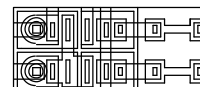


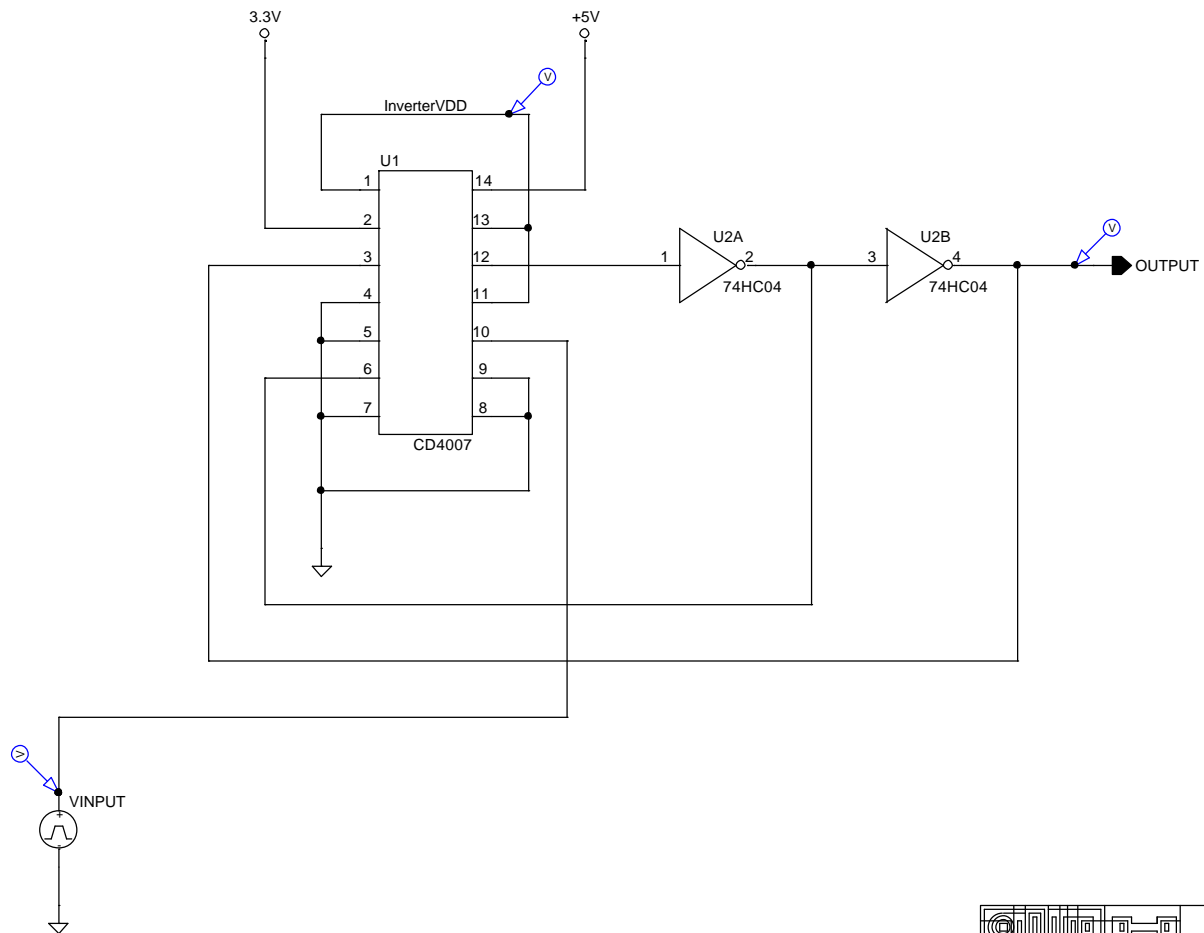
WHEN INPUT=LOW, InverterVDD = +5V

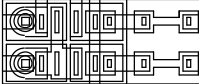
WHEN INPUT=HIGH, InverterVDD = +3.3V



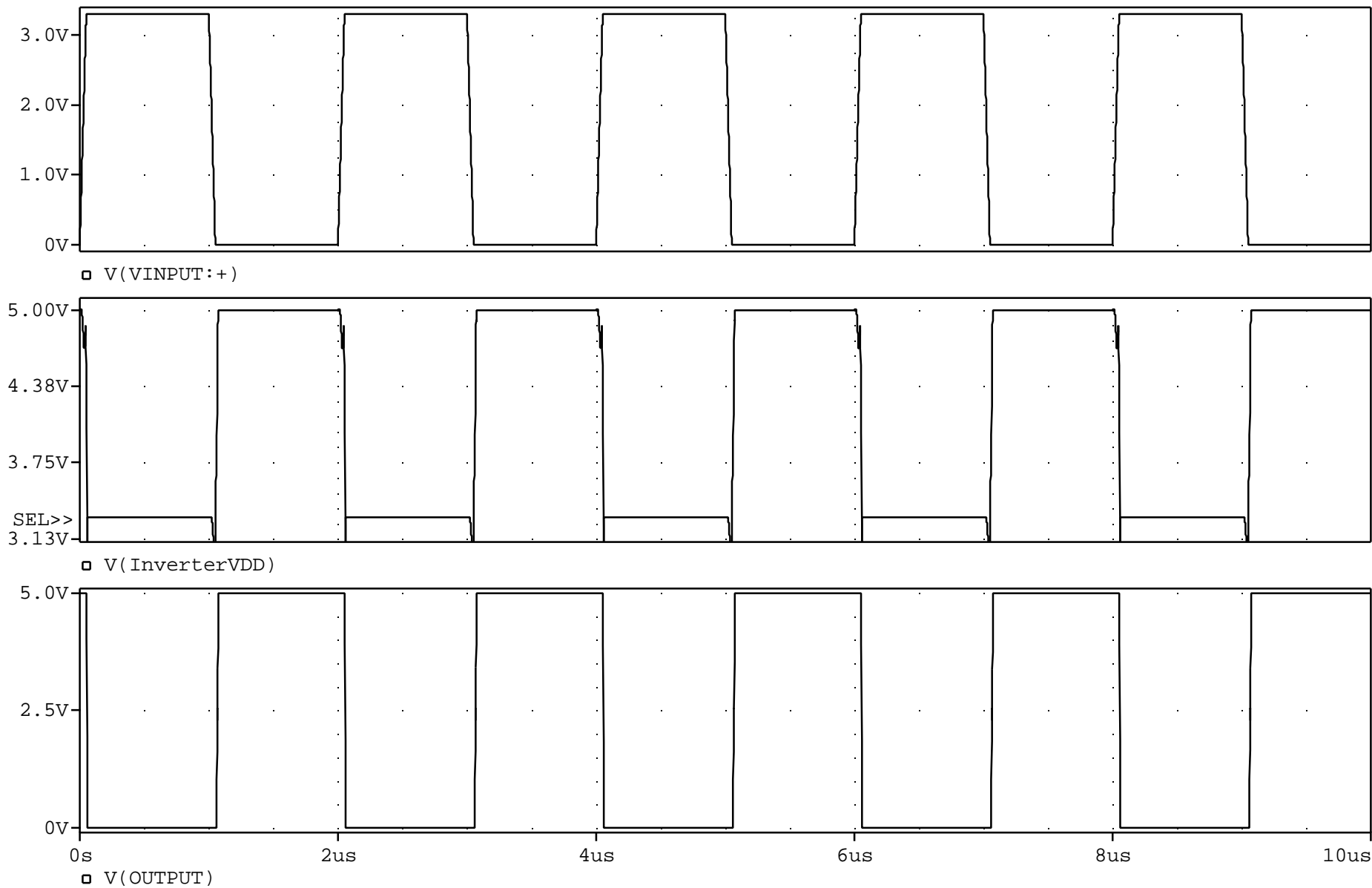
ANALOG INNOVATIONS, Inc.  
 824 E. CATHEDRAL ROCK DRIVE  
 PHOENIX, AZ 85048-6300  
 (480) 460-2350 FAX: (480) 460-2142

Title: Logic Translator - Conceptual		
Size A	FileName: D:\...SED\Examples\LogicTranslator-Conceptual.sch	REV A
October 31, 2005, 4:43 PM		Sheet 1 of 1



		ANALOG INNOVATIONS, Inc. 824 E. CATHEDRAL ROCK DRIVE PHOENIX, AZ 85048-6300 (480) 460-2350 FAX: (480) 460-2142	
Title: Logic Translator			
Size A	FileName: D:\Projects\Expments\SED\Examples\LogicTranslator.sch		REV A
October 31, 2005, 4:43 PM		Sheet 1 of 1	

Logic Translator Logic Levels



Logic Translator - Effective Hysteresis

