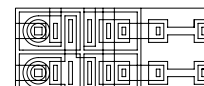
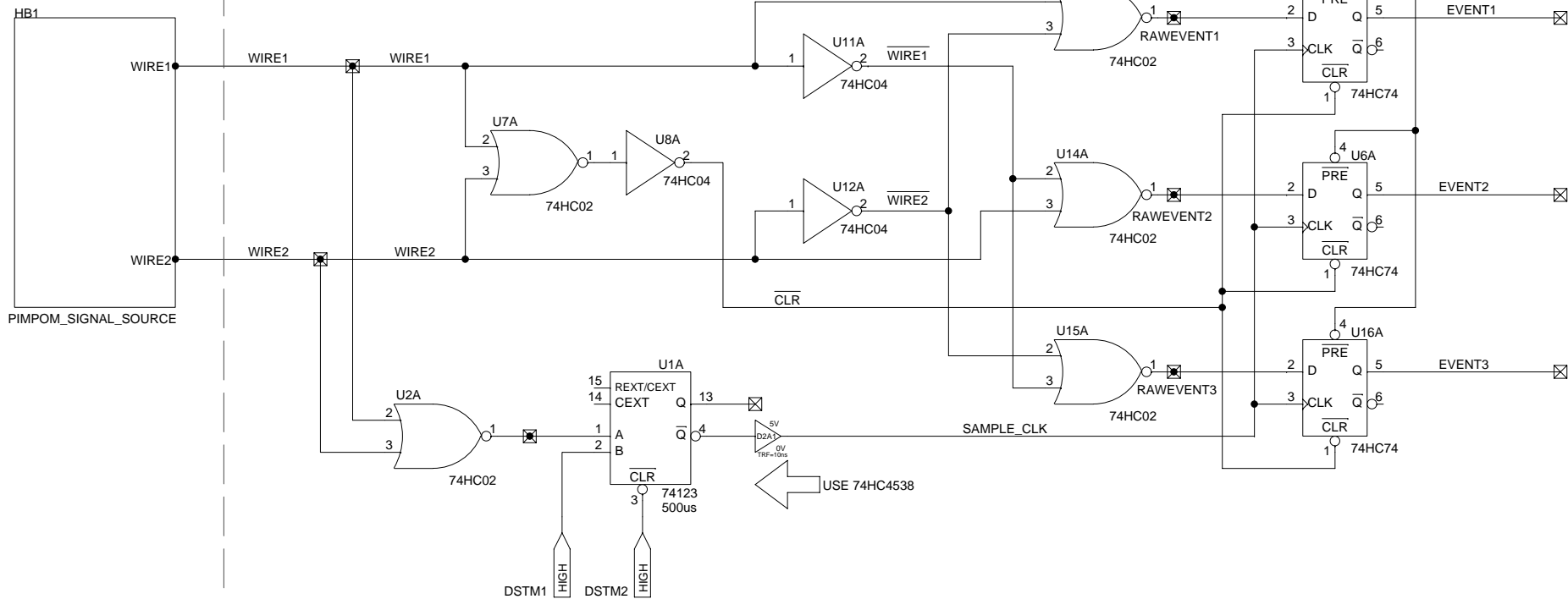


SIGNAL SYNTHESIS SIDE

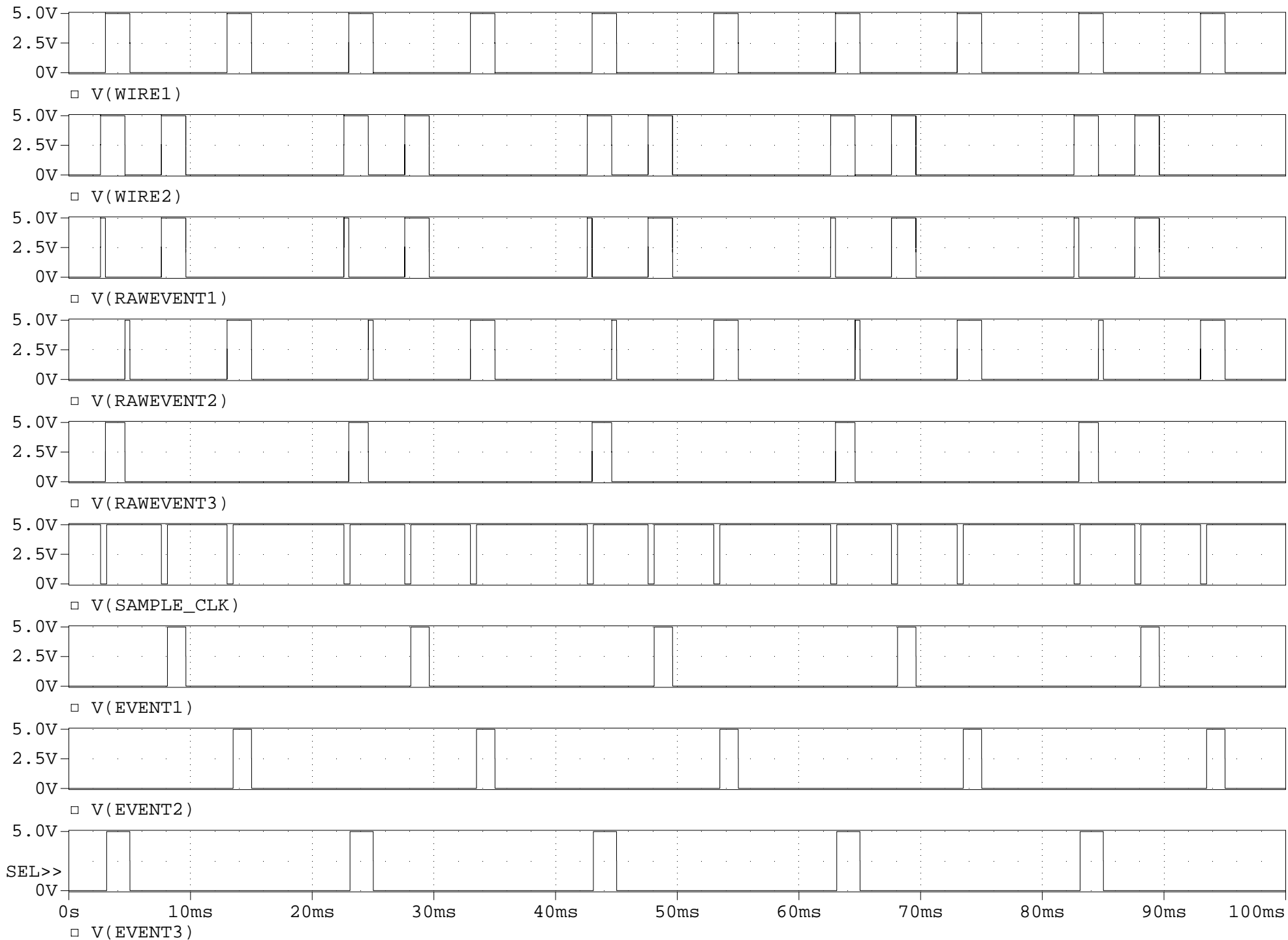
RECEIVE SIGNAL & DECODE SIDE



ANALOG INNOVATIONS, Inc.
 824 E. CATHEDRAL ROCK DRIVE
 PHOENIX, AZ 85048-6300
 (480) 460-2350 FAX: (602) 557-0890

Title: Pimpom's Two-wire Dilemma, with Full Decode		
Size A	FileName: C:\Projects\Experiments\SED\Pimpom_Decode_to_1_2_3.sch	REV A
February 1, 2013, 1:49 PM		Sheet 1 of 1

Pimpom_Decode_to_1_2_3



Pimpom_Decode_to_1_2_3_Expanded_View

