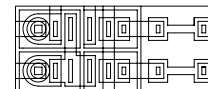
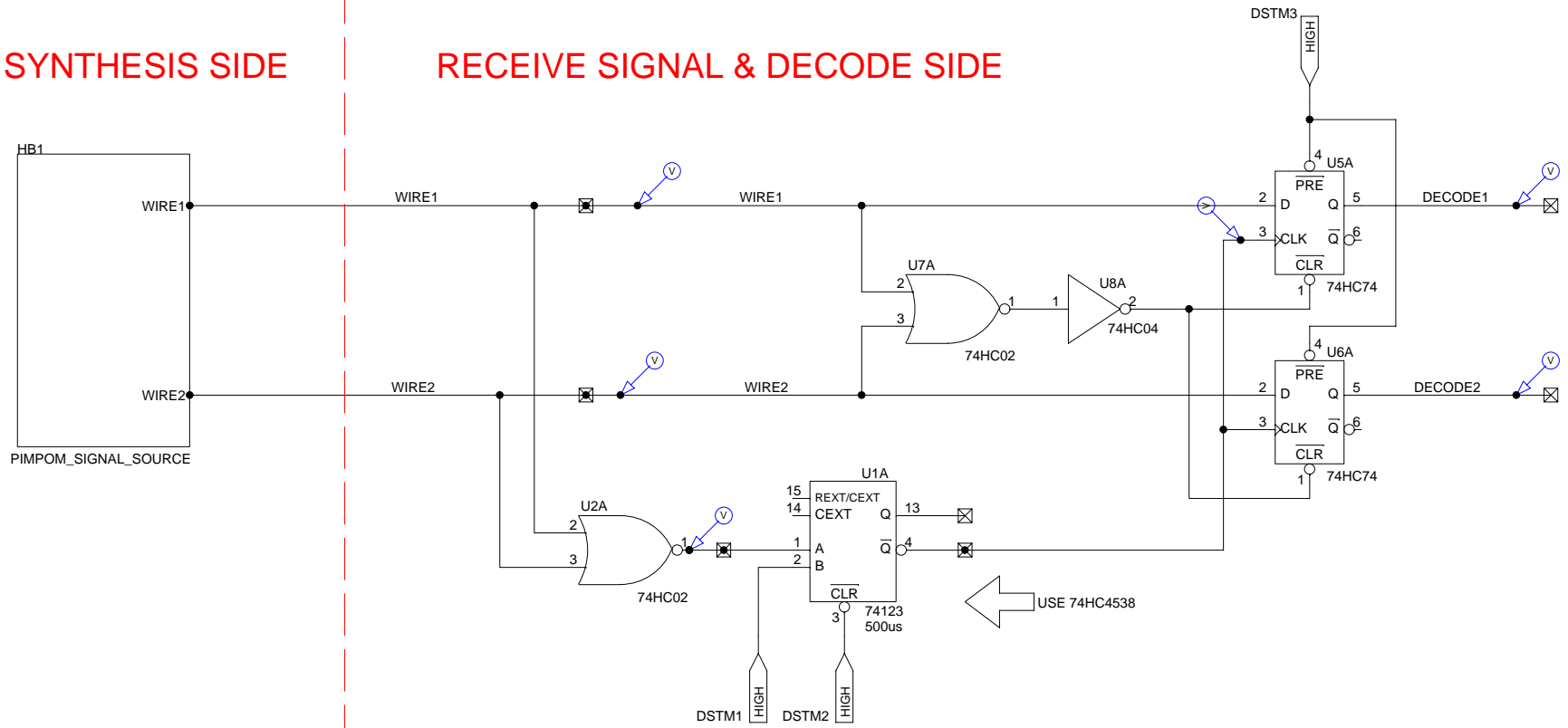


# SIGNAL SYNTHESIS SIDE

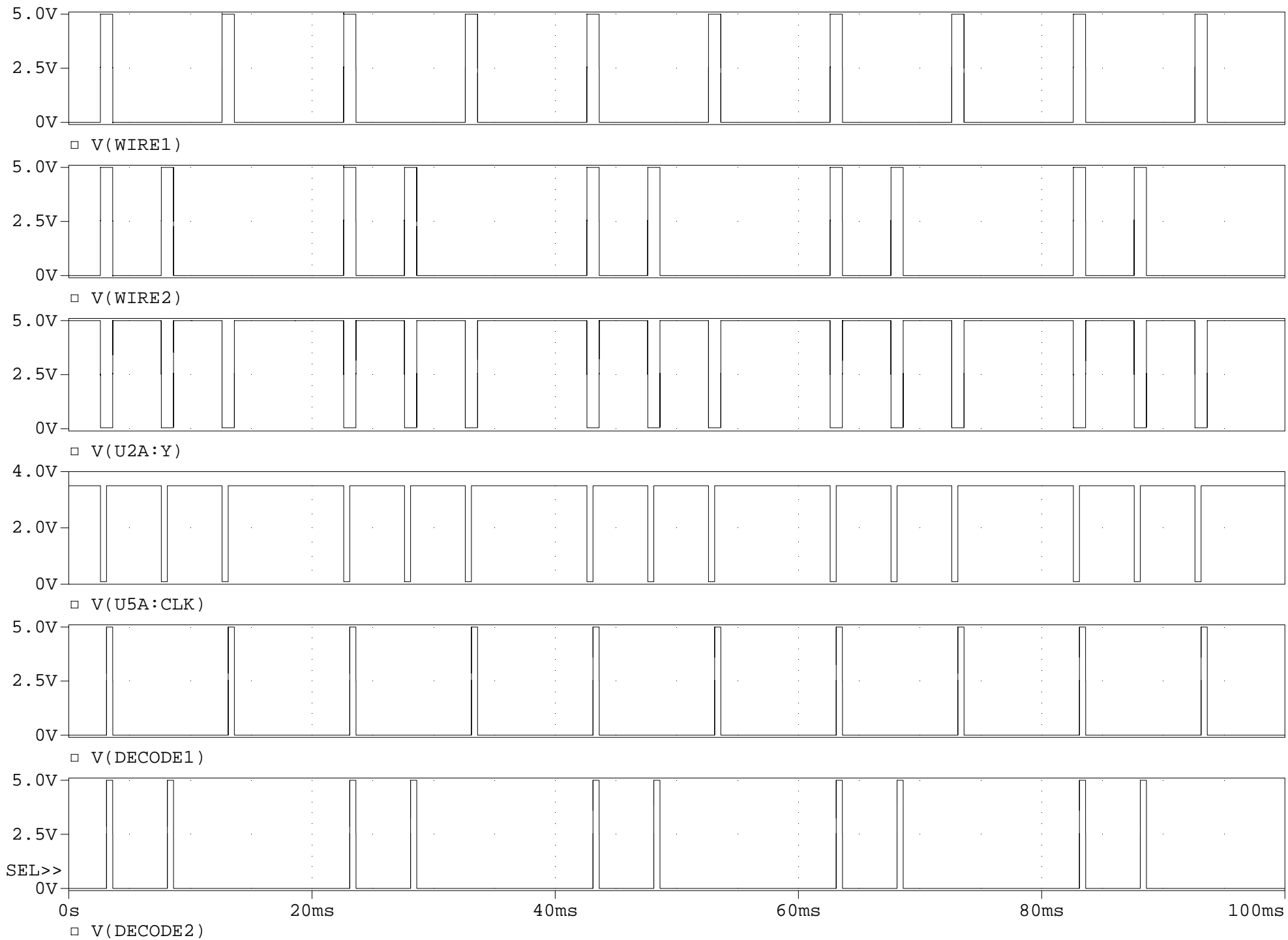
# RECEIVE SIGNAL & DECODE SIDE



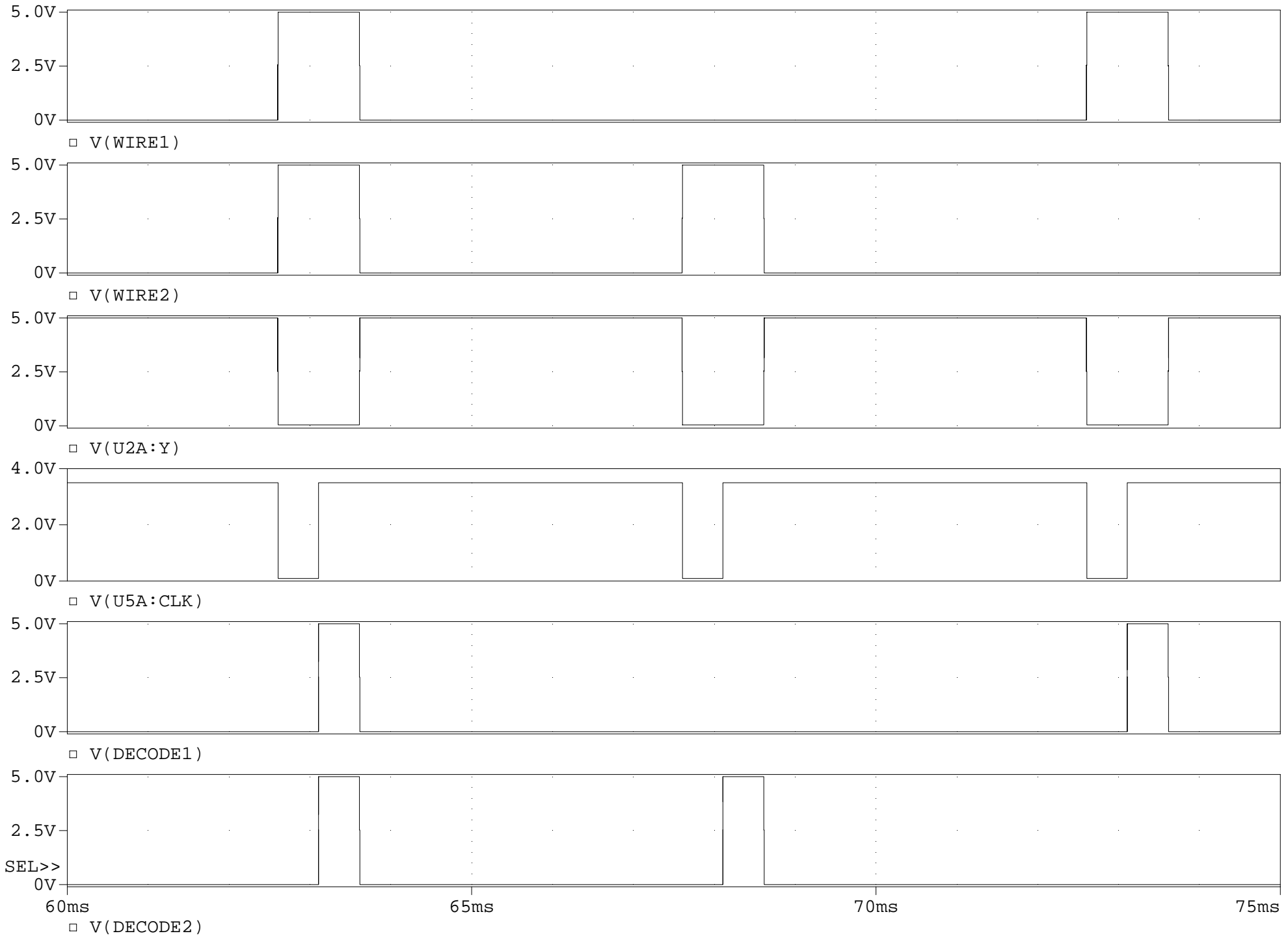
ANALOG INNOVATIONS, Inc.  
 824 E. CATHEDRAL ROCK DRIVE  
 PHOENIX, AZ 85048-6300  
 (480) 460-2350 FAX: (602) 557-0890

|                                     |  |              |
|-------------------------------------|--|--------------|
| Title:<br>Pimpom's Two-wire Dilemma |  |              |
| Size<br>A                           | FileName:<br>C:\Projects\Expments\SED\Pimpom_Decoder.sch | REV<br>A     |
| January 31, 2013, 1:14 PM           |  | Sheet 1 of 1 |

# Pimpom\_Decoder



Pimpom\_Decoder\_Expanded\_View



Pimpom\_Decoder... WIRE1 Delayed by 250usec

