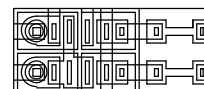


PARAMETERS:

RT 10K
RREF 100K

LIBRARY: C:\Pspice\SymbolLib\HC4066.lib



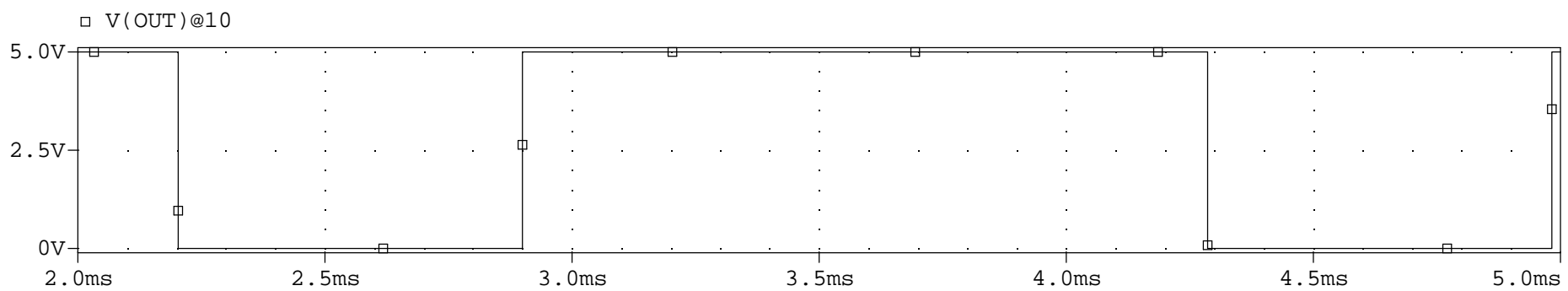
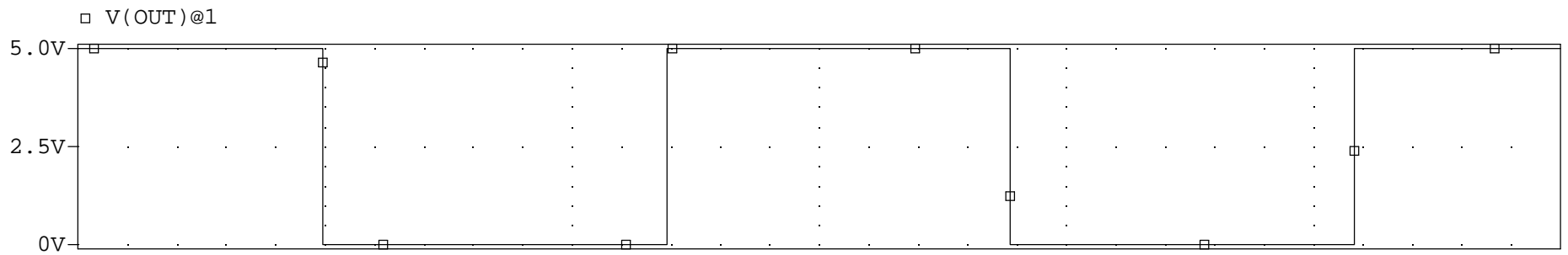
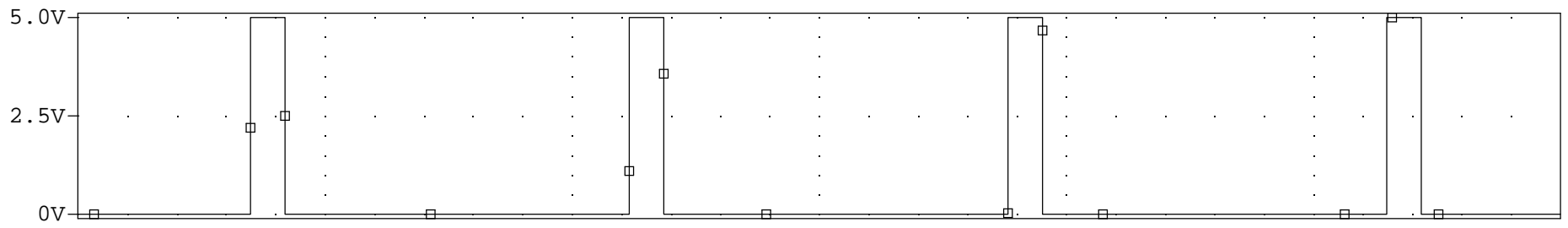
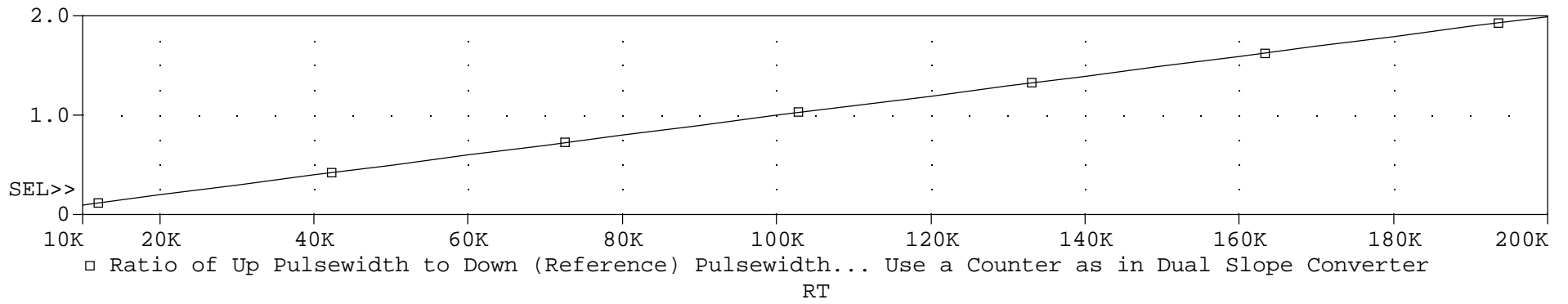
ANALOG INNOVATIONS, Inc.
824 E. CATHEDRAL ROCK DRIVE
PHOENIX, AZ 85048-6300
(480) 460-2350 FAX: (602) 557-0890

Title:
Dual Slope Resistance Measurement

Size A	FileName: D:\Projects\Expments\SED\ResistorValueDualSlope.sch	REV A
-----------	--	----------

November 18, 2010, 12:32 PM

Sheet 1 of 1



Time