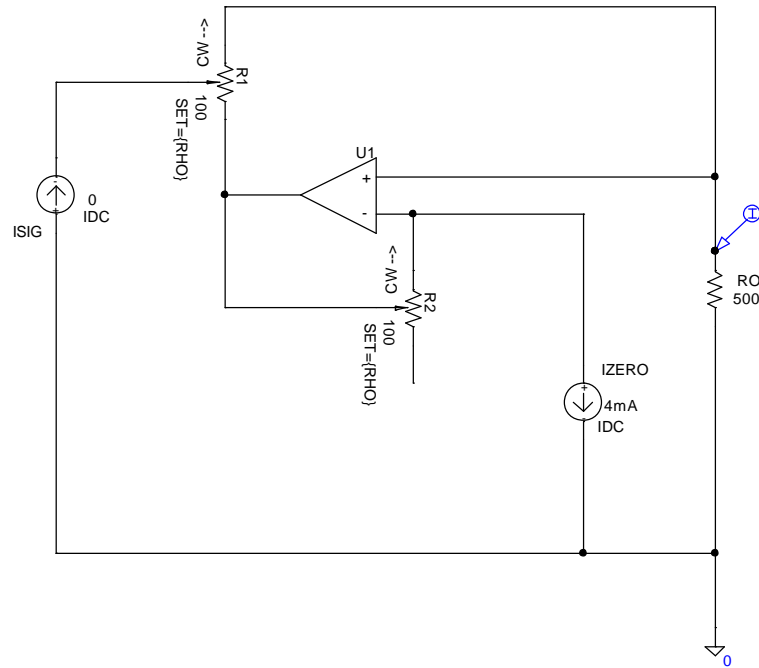
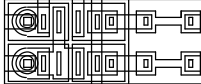


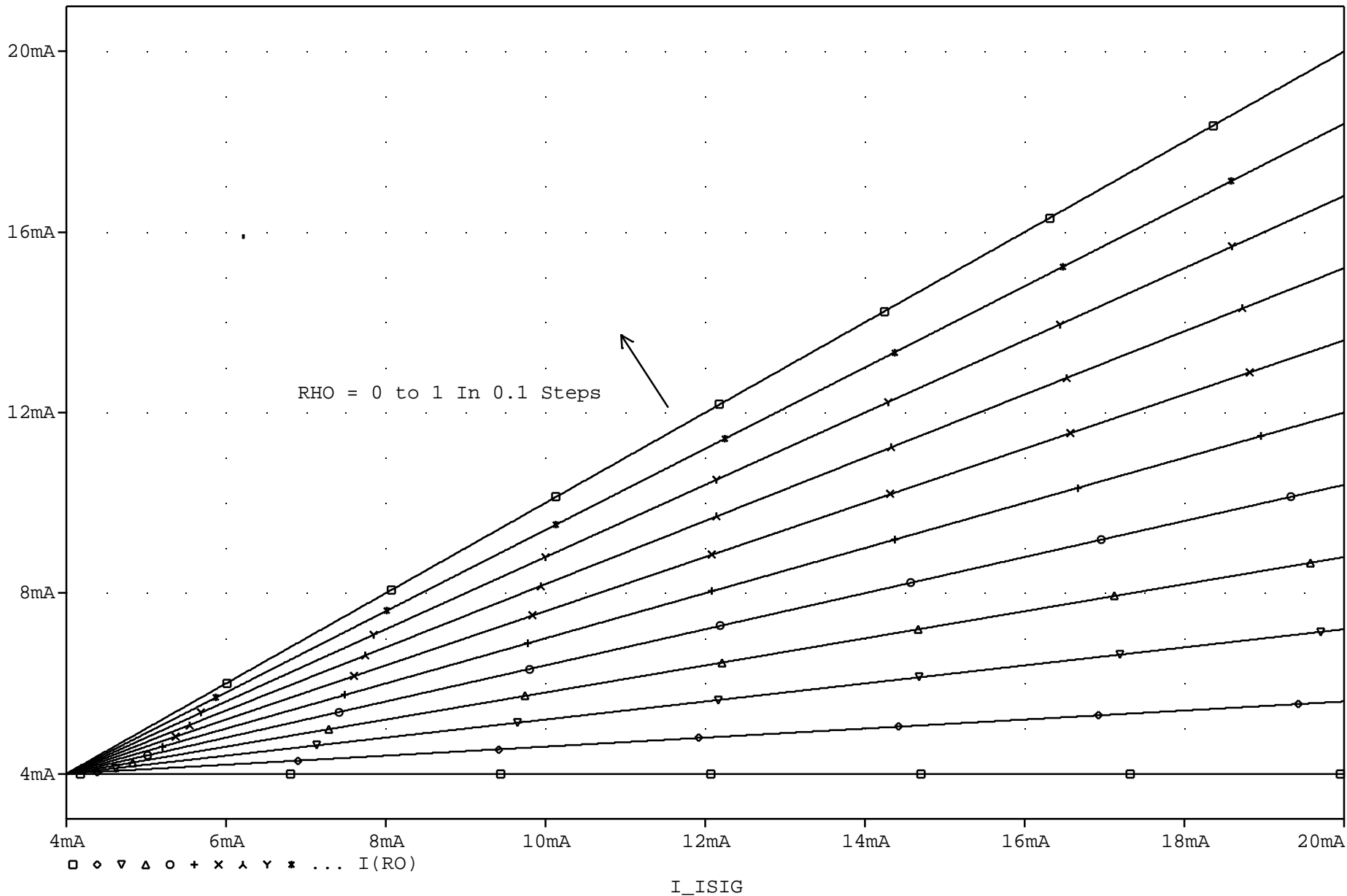
R1, R2 = GANGED POTENTIOMETER

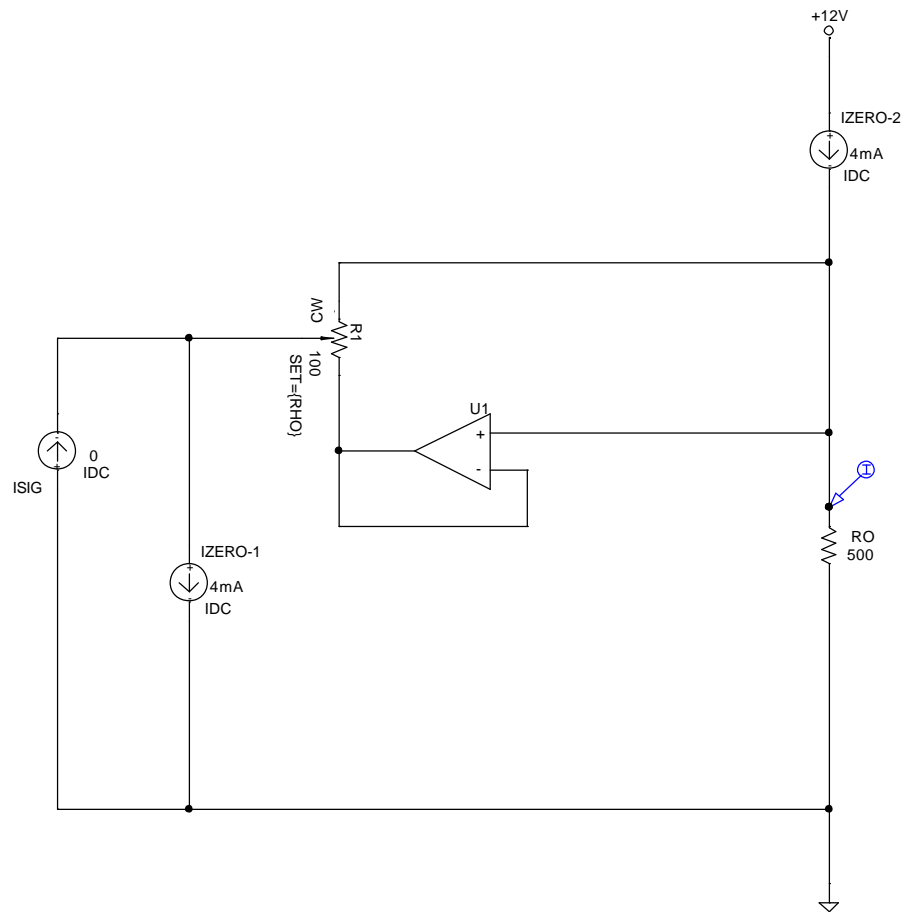


PARAMETERS: _____
RHO = 0 to 1 IN 0.1 STEPS

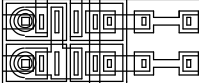
		ANALOG INNOVATIONS, Inc. 824 E. CATHEDRAL ROCK DRIVE PHOENIX, AZ 85048-6300 (480) 460-2350 FAX: (480) 460-2142	
Title: Scaling 4-20mA Signal			
Size A	FileName: ...\Scaling4-20mA-Signal.sch		REV A
August 20, 2004, 2:18 PM			Sheet 1 of 1

Scaling 4-20mA Signal





PARAMETERS:
 RHO 0.333333

		ANALOG INNOVATIONS, Inc. 824 E. CATHEDRAL ROCK DRIVE PHOENIX, AZ 85048-6300 (480) 460-2350 FAX: (480) 460-2142	
Title: Scaling 4-20mA Signal			
Size A	FileName: ...\Scaling4-20mA-Signal-Bypass.sch		REV A
August 23, 2004, 9:03 AM		Sheet 1 of 1	

Scaling 4-20mA Signal Using "Bypass" Current Sources

