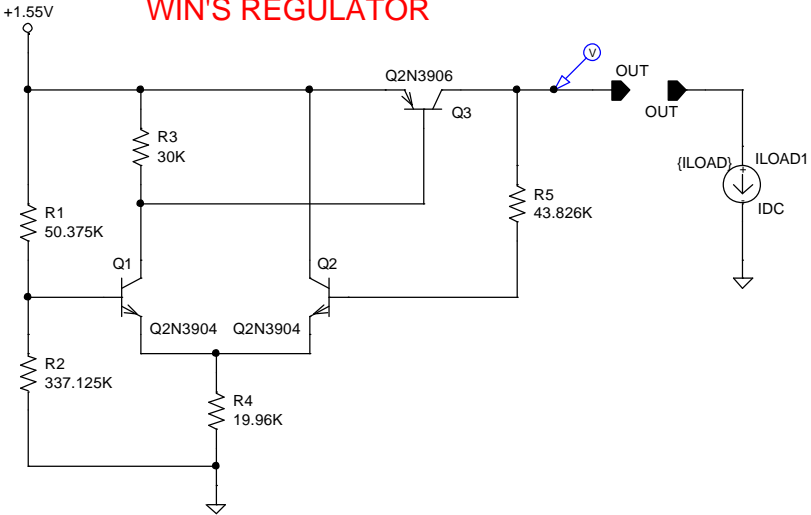


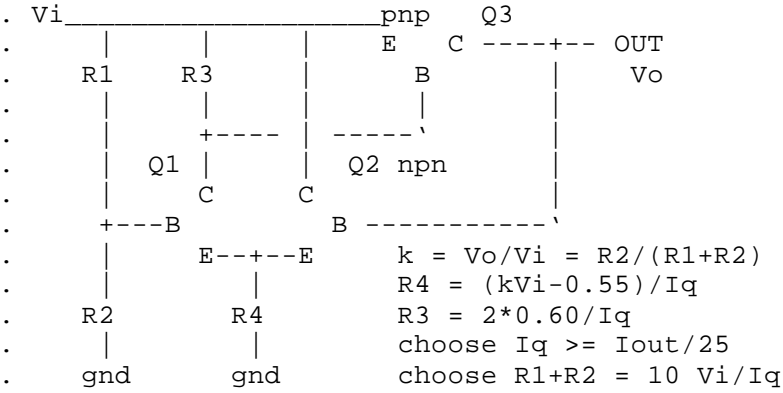
CHOOSE $I_{out}=1mA$ Then $I_q=40\mu A$

WIN'S REGULATOR

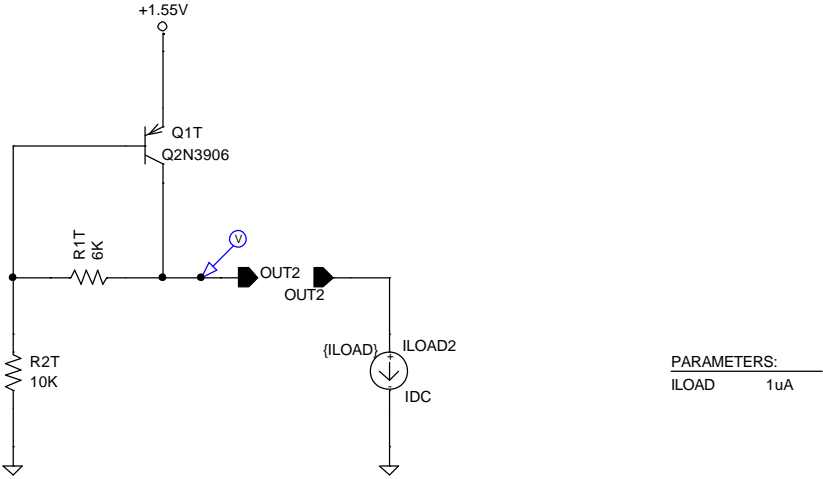


Today's instant ASCII design:

- . Micropower low-voltage LDO regulator:
- . drop 13% = 200mV at 1.55V (if $k=0.87$)

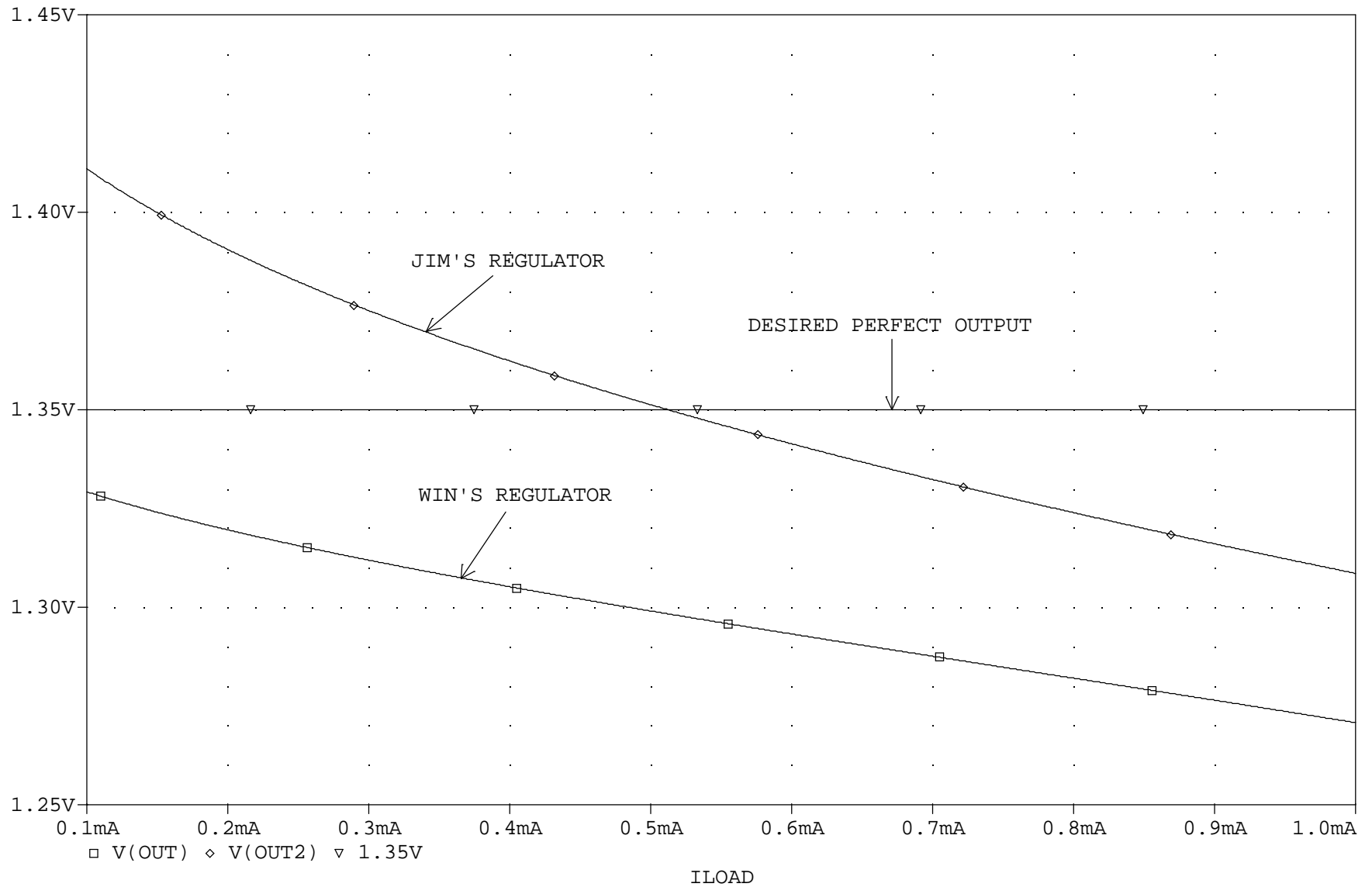


JIM'S REGULATOR



		ANALOG INNOVATIONS, Inc. 824 E. CATHEDRAL ROCK DRIVE PHOENIX, AZ 85048-6300 (480) 460-2350 FAX: (480) 460-2142	
Title: Win's 0.2V Dropper Compared to Simple-Minded			
Size A	FileName: D:\Projects\Expments\SED\WinsTodaysASCII.sch		REV A
January 21, 2007, 2:31 PM		Sheet 1 of 1	

WinsTodaysASCII Regulator Compared to Simple-Minded



ANALOG INNOVATIONS, INC.
824 E. Cathedral Rock Drive
Phoenix, AZ 85048-6300
(480)460-2350

Temperature(s): 27.0

January 21, 2007